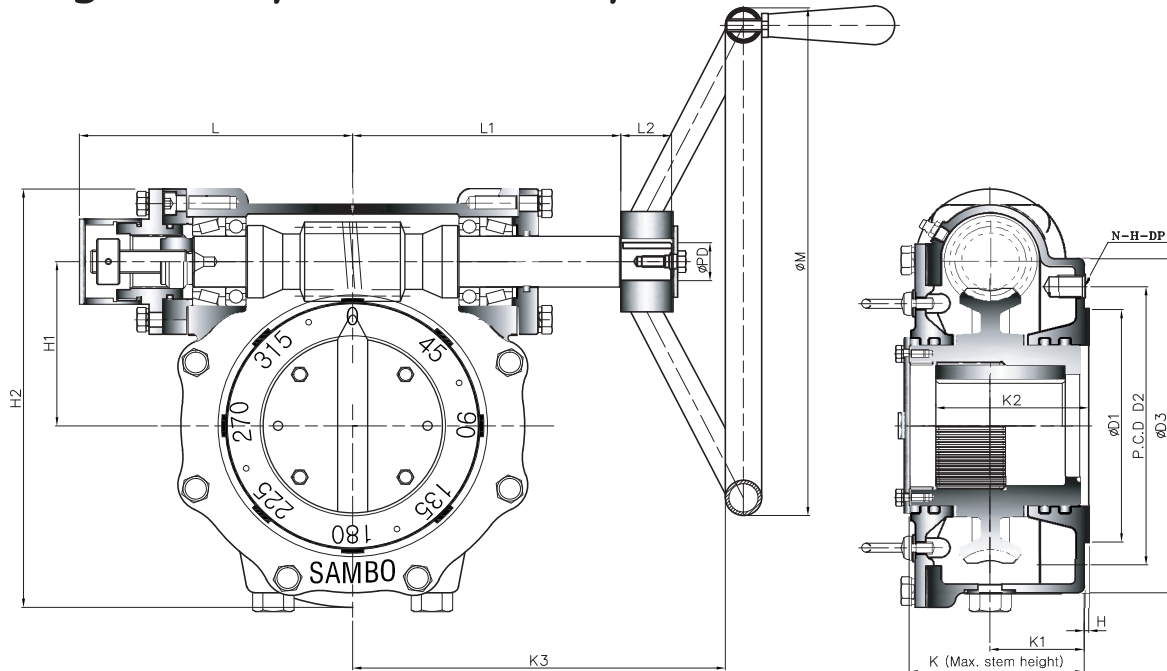
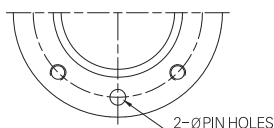


PART TURN 45° 90° 135° 180° 225° 270° 315° 360°

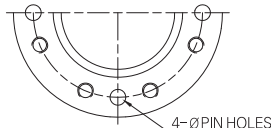
Traveling Nut Stop : Horizontal Input



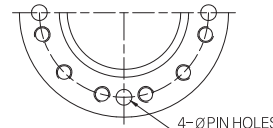
• Pin hole size is same as tap out diameter



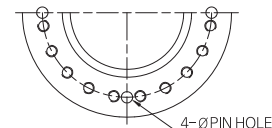
TYPE - A



TYPE - B



TYPE - C



TYPE - D

Dimension

UNIT : mm

MODEL	DIM	BASE PART						EXTERNAL PART							INPUT SHAFT PART			HAND WHEEL				
		TYPE	FLANGE	ØD1	P.C.D		ØD3	H	H1	H2	K	K1	K2	K3	L	L1	L2		ØPD	KEY		
					ØD2	N-H-DP																
SBWG-BFTN	A	F-07	55	70	4-M8-12	110	2	42	132	76	38	38.6	150	145	97	24	16	6X6	200			
SBWG-0TN		F-10	70	102	4-M10-15	135		57	159.5	77	38	43.6	177	152.5	104.5				250			
SBWG-00TN		F-12	85	125	4-M12-18	165		69.5	192	86.5	43	53.6	230	181	138				300			
SBWG-01TN		F-14	100	140	4-M16-24	190		82.5	217.5	96	53	65	260	190	147				400			
SBWG-02TN		F-16	130	165	4-M20-30	220		97	257	109.5	56	75.5	294	228	166				34	26	8X7	500
SBWG-03TN	B	(F-16) F-20	160	205	8-M16-24	250	3	112	287	116	59	87	324	238	176	34	26	8X7	560			
SBWG-35TN		F-25	200	254	8-M16-24	300		127	319.5	126	63	91	329	243	181				560			
SBWG-04TN		F-25	200	254	8-M16-24	300		153	385.5	147	73	120	370	352	207				630			
SBWG-05TN		F-30	230	298	8-M20-30	350		180	437.5	155	78	141	400	362	217				34	32	10X8	710
SBWG-55TN						350		202	484.5	162	80	144	420	382	237				710			
SBWG-06TN		F-35	260	356	8-M30-45	415		230	558.5	200	109	175	489	497	286				800			
SBWG-07TN		F-40	300	406	8-M36-55	475		280.5	660.5	227	116	209	538	532	315				44	38	12X8	900
SBWG-75TN		C	F-48	370	483	12-M36-55		560	326	776	246	120	220	617	621				381	58	50	16X10
SBWG-08TN	560					379	884	254	125	245	652	656	416	1000								
SBWG-09TN	D	F-60	470	603	20-M36-55	700	448.5	1023.5	284	138	270	692	696	456	58	50	16X10	1000				
SBWG-10TN						800	513	1191	352	164	330	814	845	614								
SBWG-11TN						900	616.5	1399.5	400	181	370	857	886.5	657								
SBWG-12TN						1000	711	1621	484	265	455	980	1056	702								
SBWG-13TN						1000	809	1814	546	301	515	988	1096	752								

Worm Gear Actuators

❖ Feature

- All mounting bases conform to ISO 5210/1 standards.
- All castings are ductile iron, Class 65-45-12 excellent strength and impact resistance.
- Worm gear material is available in two option.
 - ▶ Ductile iron, Class 80-55-06
 - ▶ Aluminum bronze, B148-C95800
- Worm is 1045 heat treated Carbon steel.
- Removable splined bushing to permit accurate positioning between gear drive and valve stem.
- Options include hand wheels, chain wheels and etc.

Bushing Type

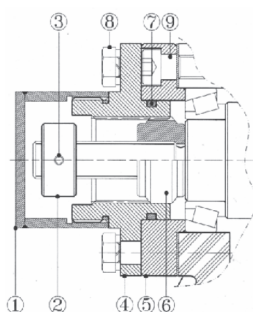
Splines permit accurate alignment of valve stem key.



Traveling Nut Stop

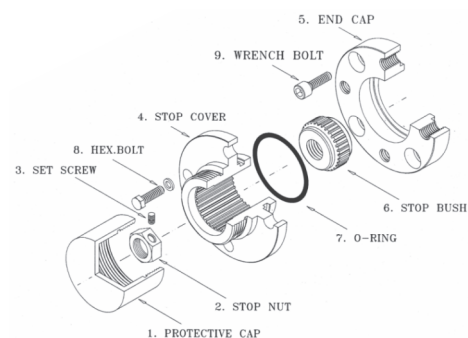
• If worm gear actuators are supplied on a valve, the end stops are already set.

• In case end stops need to be adjusted set end position OPEN first, if the exact end position of the valve can not be seen through a position marking at the valve shaft, the setting may have to be done with the valve removed.



[SETTING]

- Remove all bolts⑧ at stop cover.④
- Turn valve manually to end position OPEN.
- In case stop cover.④ do not correspond to the threads of the housing.
- Take off the stop covers.④ and place it in the required positon.
- Fit bolts⑧ with washers and fasten them evently.
- Finally, protective cap① remove, turn stop nut② to adjust end position CLOSE.



❖ Selection Chart for Manual Operation

MODEL \ SIZE	GEAR RATIO	MAX. STEM ACCEPTANCE	MOUNTING OPTION & STANDARD	MAX. TORQUE CAPACITY		WEIGHT
				N-m	Ft. lbf	Kg
SBWG-BFTN	32 : 1	20 (6X6)	F-07	360	266	6
SBWG-0TN	36 : 1	28 (8X7)	F-07, F-10	780	575	9
SBWG-00TN	40 : 1	36 (10X8)	F-10, F-12	1200	885	13
SBWG-01TN	44 : 1	46 (14X9)	F-10, F-12, F-14	2000	1475	16
SBWG-02TN	48 : 1	60 (18X11)	F-12, F-14, F-16	2800	2065	25
SBWG-03TN	52 : 1	75 (20X12)	F-14, F-16, (F-20)	4300	3172	34
SBWG-35TN	52 : 1	80 (22X14)	F-16, (F-20), F-25	6100	4499	39
SBWG-04TN	56 : 1	95 (25X14)	F-16, (F-20), F-25	10400	7671	63
SBWG-05TN	60 : 1	115 (32X18)	F-25, F-30	15900	11727	85
SBWG-55TN	62 : 1	125 (32X18)	F-25, F-30	23500	17333	105
SBWG-06TN	64 : 1	140 (36X20)	F-25, F-30, F-35	32800	24192	155
SBWG-07TN	68 : 1	180 (45X25)	F-30, F-35, F-40	51100	37689	254
SBWG-75TN	66 : 1	210 (50X28)	F-35, F-40, F-48	81500	60111	364
SBWG-08TN	66 : 1	250 (56X32)	F-40, F-48	121000	89245	489
SBWG-09TN	66 : 1	280 (63X32)	F-48, F-60	192500	141981	848
SBWG-10TN	64 : 1	320 (70X36)	F-60	275000	202830	1352
SBWG-11TN	68 : 1	360 (80X40)	F-60	442000	326002	2113
SBWG-12TN	70 : 1	400 (90X45)	F-60, (F-80)	610000	449913	2931
SBWG-13TN	72 : 1	440 (100X50)	F-60, (F-80)	970000	715435	3835

Size and component specification in this catalogue are subject to change without prior notice for quality improvement.