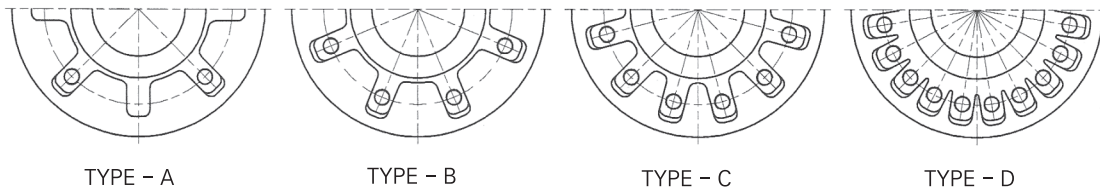
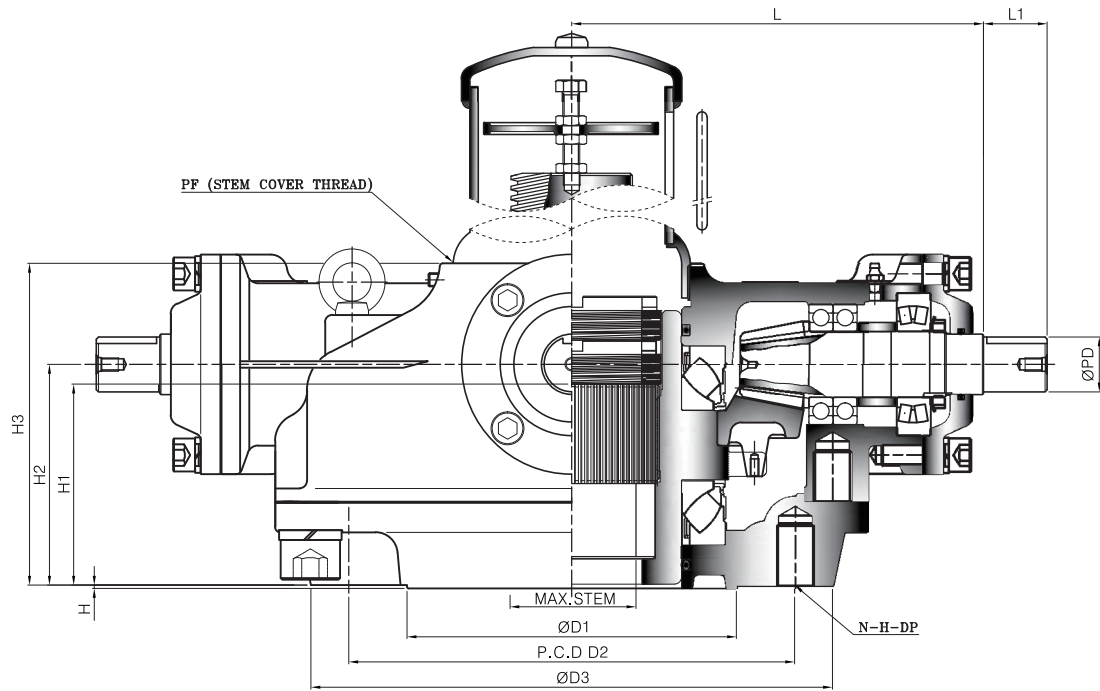


STANDARD TYPE-D Multiple Input Shaft Thrust & Torque Vertical Input



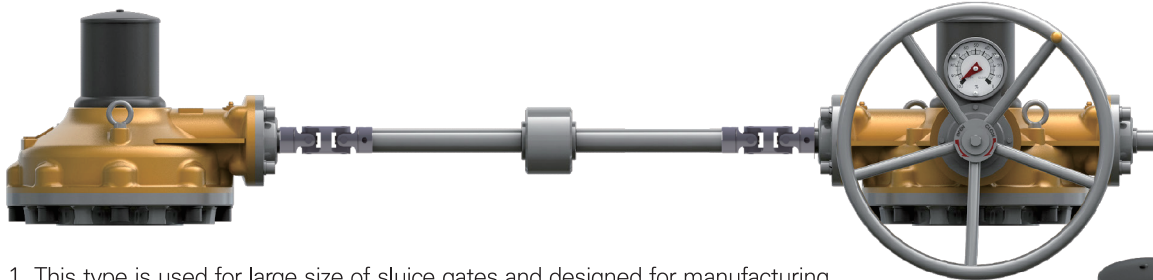
Dimension

UNIT : mm

DIM MODEL	BASE PART						EXTERNAL PART					INPUT SHAFT PART		HAND WHEEL	STEM COVER				
	TYPE	FLANGE	ØD1	P.C.D		ØD3	H	H1	H2	H3	L	L1	ØPD			KEY			
				ØD2	N-H-DP														
SB-V0W	A	F-14	100	140	4-M16-24	175	3	72	81	121	154.5	34	32	10X8	400	PF2-1/2"			
SB-V1W		F-16	130	165	4-M20-30	210		84	98	140	167				500	PF3"			
SB-V2W	B	(F-16) F-20	140	205	8-M16-24	250	3	95	115	159.5	188	34	32	10X8	630	PF3-1/2"			
SB-V3W		F-25	200	254	8-M16-24	300		102	119	166.5	208				710	PF4"			
SB-V35W		F-30	230	298	8-M20-30	350		122	138	195	266				800	PF5"			
SB-V4W		F-35	260	356	8-M30-45	410		133	150	209	291				44	38	12X8	900	PF6"
SB-V5W		F-35	260	356	8-M30-45	415		161	177	245	313								
SB-V55W		F-40	300	406	8-M36-55	475		171	192	261	333				58	50	16X10	1000	PF8"
SB-V6W	F-40	300	406	8-M36-55	475	185	201	283	381										
SB-V7W	C	F-48	370	483	12-M36-55	560	5	206	222	309	409	58	50	16X10	1000	PF8"			
SB-V75W		F-48	370	483	12-M36-55	560		221	248	340	441				1000	PF10"			
SB-V8W		F-48	370	483	12-M36-55	560		233	259	352	472				1000	PF10"			
SB-V85W	D	F-60	470	603	20-M36-55	700	5	248	278	373	525	58	50	16X10	1000	PF12"			
SB-V9W		F-60	470	603	20-M36-55	700		263	295	398	591				1000	PF12"			
SB-V10W		(F-60) F-80	650	800	20-M42-63	900		378	375	490	664				1000	PF12"			

Spiral Bevel Gear Actuators

❖ Dual Gear Actuator Type (Manual Dial Indicator) : Typical Arrangement for Two Spindles Application



1. This type is used for large size of sluice gates and designed for manufacturing type to operate efficiently using 2 spindles.
2. Local dial position indicator provides clear indication of gate position.
3. Sambo can provide suitable interconnecting shafts and couplings if required.
(Customer must state the center distance between the gate stems.)

❖ Dual Gear Actuator Type (Electric Actuators) : Typical Arrangement for Two Spindles Application



1. This type is used for large size of sluice gates and designed for manufacturing type to operate efficiently using 2 spindles.
2. Sambo can provide suitable interconnecting shafts and couplings if required.
(Customer must state the center distance between the gate stems.)

❖ Selection Chart for Manual Operation

MODEL	SIZE GEAR RATIO	MAX. STEM ACCEPTANCE		MOUNTING OPTION & STANDARD	MAX. THRUST CAPACITY		MAX. TORQUE CAPACITY		WEIGHT Kg
		TW	KEY		KN	lbf	N-m	Ft. lbf	
SB-V0W	3.25 : 1	46	38 (12X8)	F-10, F-12, F-14	127	28550	600	442	19
SB-V1W	3.5 : 1	55	45 (14X9)	F-14, F-16	141	31700	980	723	25
SB-V2W	4 : 1	62	52 (16X10)	F-14, F-16, (F-20)	190	42710	1500	1106	37
SB-V3W	5 : 1	72	60 (18X11)	F-16, (F-20), F-25	288	64750	2500	1844	49
SB-V35W	5.5 : 1	85	72 (20X12)	F-25, F-30	350	78680	3500	2581	84
SB-V4W	6 : 1	98	84 (22X14)	F-25, F-30, F-35	400	89920	5200	3835	106
SB-V5W	6.56 : 1	110	95 (28X16)	F-30, F-35	510	114650	7800	5753	159
SB-V55W	7 : 1	120	105 (28X16)	F-30, F-35, F-40	1500	337210	10400	7671	210
SB-V6W	7 : 1	130	115 (32X18)	F-30, F-35, F-40	2310	519300	13000	9588	263
SB-V7W	7.56 : 1	150	130 (36X20)	F-40, F-48	2500	562020	17600	12981	330
SB-V75W	8 : 1	160	140 (36X20)	F-40, F-48	3450	775590	21000	15489	473
SB-V8W	8 : 1	180	160 (40X22)	F-40, F-48	4100	921700	32000	23602	488
SB-V85W	8 : 1	190	170 (40X22)	F-48, F-60	5150	1157760	40000	29502	550
SB-V9W	8 : 1	200	180 (45X25)	F-48, F-60	5450	1225180	55000	40566	758
SB-V10W	8 : 1	230	200 (50X28)	F-60, (F-80)	7300	2585300	75000	55317	916

Size and component specification in this catalogue are subject to change without prior notice for quality improvement.