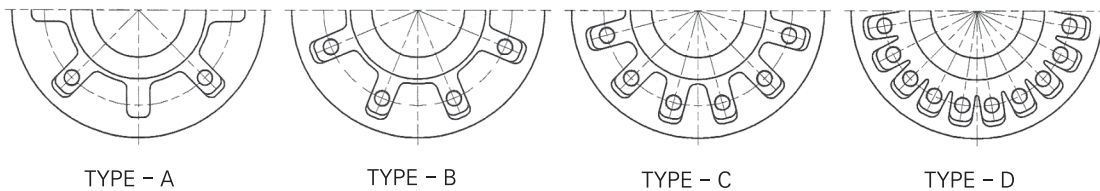
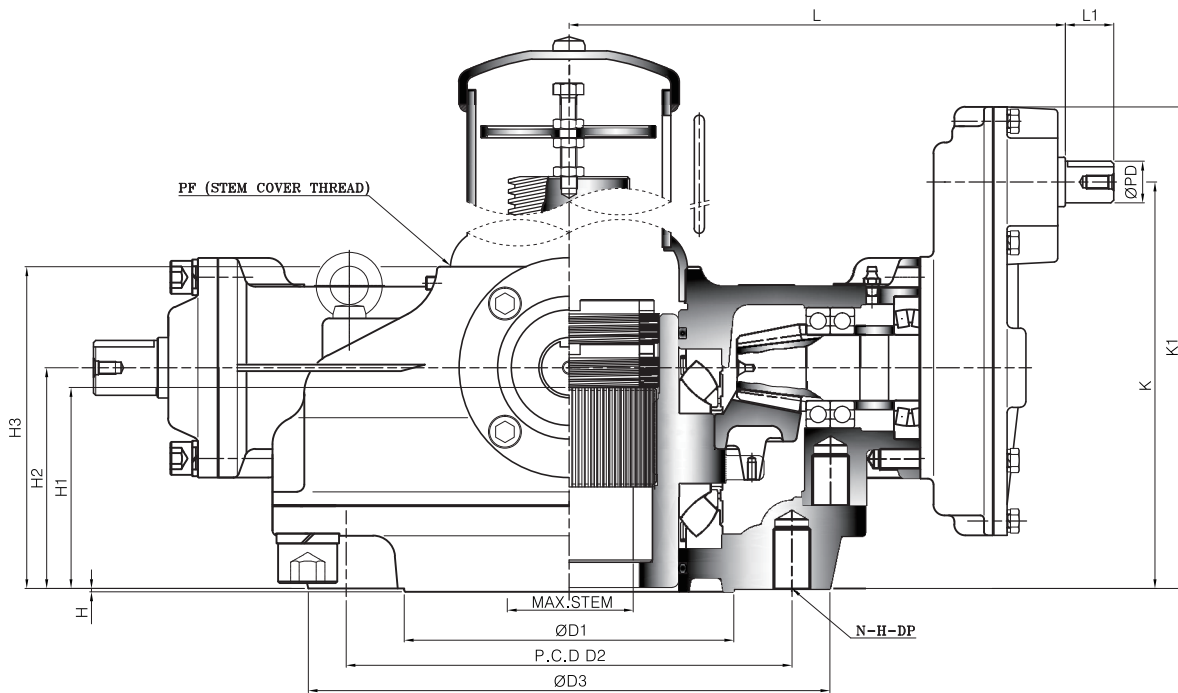


STANDARD TYPE-D Multiple Input Shaft

Thrust & Torque Horizontal Input with Single Reduction Gear Attachment



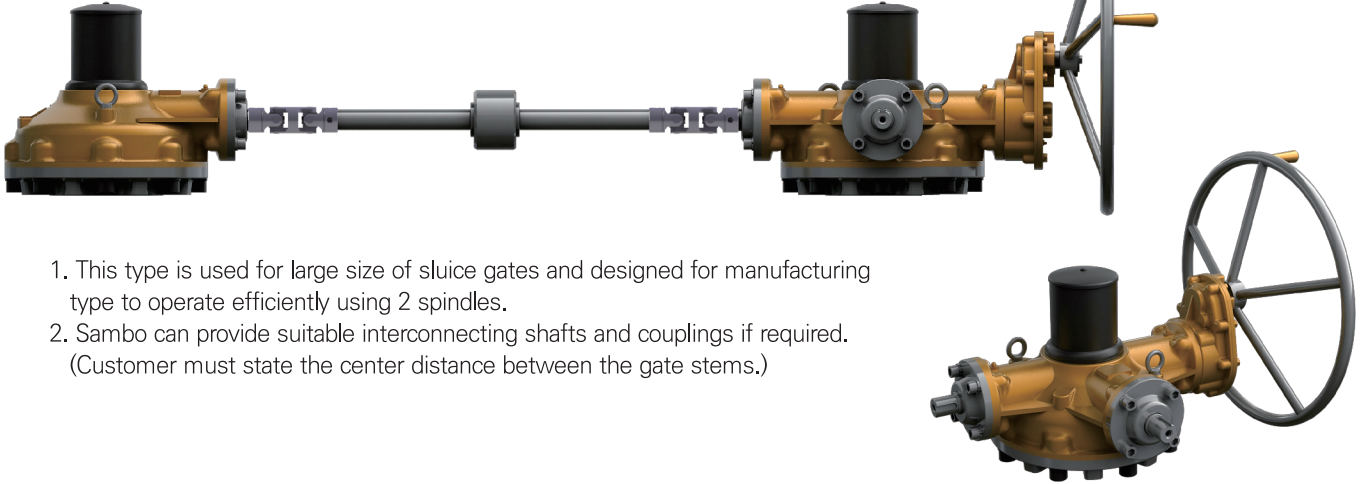
Dimension

UNIT : mm

DIM MODEL	BASE PART							EXTERNAL PART					INPUT SHAFT PART			HAND WHEEL	STEM COVER				
	TYPE	FLANGE	ØD1	P.C.D		ØD3	H	H1	H2	H3	K	K1	L	L1	ØPD			KEY			
				ØD2	N-H-DP																
SB-V0W-1S	A	F-14	100	140	4-M16-24	175	3	72	81	121	160	203	201.5	34	26	8X7	250	PF2-1/2"			
SB-V1W-1S		F-16	130	165	4-M20-30	210		84	98	140	177	220	214				300	PF3"			
SB-V2W-1S	B	(F-16) F-20	140	205	8-M16-24	250	3	95	115	159.5	208	256	236.5	34	26	8X7	400	PF3-1/2"			
SB-V3W-1S		F-25	200	254	8-M16-24	300		102	119	166.5	212	260	256.5				500	PF4"			
SB-V35W-1S		F-30	230	298	8-M20-30	350		122	138	195	259	316	333				630	PF5"			
SB-V4W-1S		F-35	260	356	8-M30-45	410		133	150	209	271	328	358				34	32	10X8	710	PF6"
SB-V5W-1S		F-35	260	356	8-M30-45	415		161	177	245	322	384.5	387							800	PF8"
SB-V55W-1S		F-40	300	406	8-M36-55	475		171	192	261	337	399.5	407				44	38	12X8	900	PF8"
SB-V6W-1S		F-40	300	406	8-M36-55	475		185	201	283	370	439	472							800	PF8"
SB-V7W-1S		C	F-48	370	483	12-M36-55		560	5	206	222	309	391				459	497	44	38	12X8
SB-V75W-1S	F-48		370	483	12-M36-55	560	221	248		340	478	564	620	58	50	16X10	1000	PF10"			
SB-V8W-1S	F-48		370	483	12-M36-55	560	233	259		352	489	575	651				1000	PF10"			
SB-V85W-1S	D	F-60	470	603	20-M36-55	700	5	248	278	373	508	594	695	58	50	16X10	1000	PF12"			
SB-V9W-1S		F-60	470	603	20-M36-55	700		263	295	398	580	696	821				1000	PF12"			
SB-V10W-1S		(F-60) F-80	650	800	20-M42-63	900		378	375	490	659	775	886				1000	PF12"			

Spiral Bevel Gear Actuators

❖ Dual Gear Actuator Type (Manual) : Typical Arrangement for Two Spindles Application



1. This type is used for large size of sluice gates and designed for manufacturing type to operate efficiently using 2 spindles.
2. Sambo can provide suitable interconnecting shafts and couplings if required.
(Customer must state the center distance between the gate stems.)

❖ Dual Gear Actuator Type (Electric Actuators) : Typical Arrangement for Two Spindles Application



1. This type is used for large size of sluice gates and designed for manufacturing type to operate efficiently using 2 spindles.
2. Sambo can provide suitable interconnecting shafts and couplings if required.
(Customer must state the center distance between the gate stems.)

❖ Selection Chart for Manual Operation

MODEL	SIZE GEAR RATIO	MAX. STEM ACCEPTANCE		MOUNTING OPTION & STANDARD	MAX. THRUST CAPACITY		MAX. TORQUE CAPACITY		WEIGHT Kg
		TW	KEY		KN	lbf	N-m	Ft. lbf	
SB-V0W-1S	6.5 : 1	46	38 (12X8)	F-10, F-12, F-14	127	28550	600	442	23
SB-V1W-1S	7 : 1	55	45 (14X9)	F-14, F-16	141	31700	980	723	29
SB-V2W-1S	10.13 : 1	62	52 (16X10)	F-14, F-16, (F-20)	190	42710	1500	1106	45
SB-V3W-1S	12.66 : 1	72	60 (18X11)	F-16, (F-20), F-25	288	64750	2500	1844	57
SB-V35W-1S	16.5 : 1	85	72 (20X12)	F-25, F-30	350	78680	3500	2581	97
SB-V4W-1S	18 : 1	98	84 (22X14)	F-25, F-30, F-35	400	89920	5200	3835	118
SB-V5W-1S	22.94 : 1	110	95 (28X16)	F-30, F-35	510	114650	7800	5753	171
SB-V55W-1S	24.5 : 1	120	105 (28X16)	F-30, F-35, F-40	1500	337210	10400	7671	223
SB-V6W-1S	28 : 1	130	115 (32X18)	F-30, F-35, F-40	2310	519300	13000	9588	291
SB-V7W-1S	30.22 : 1	150	130 (36X20)	F-40, F-48	2500	562020	17600	12981	358
SB-V75W-1S	40 : 1	160	140 (36X20)	F-40, F-48	3450	775590	21000	15489	545
SB-V8W-1S	40 : 1	180	160 (40X22)	F-40, F-48	4100	921700	32000	23602	560
SB-V85W-1S	40 : 1	190	170 (40X22)	F-48, F-60	5150	1157760	40000	29502	622
SB-V9W-1S	40 : 1	200	180 (45X25)	F-48, F-60	5450	1225180	55000	40566	855
SB-V10W-1S	40 : 1	230	200 (50X28)	F-60, (F-80)	7300	2585300	75000	55317	1013

Size and component specification in this catalogue are subject to change without prior notice for quality improvement.