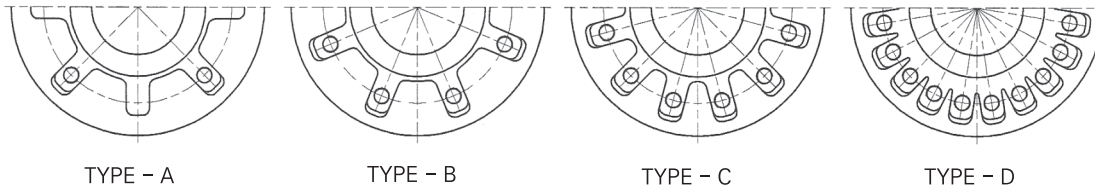
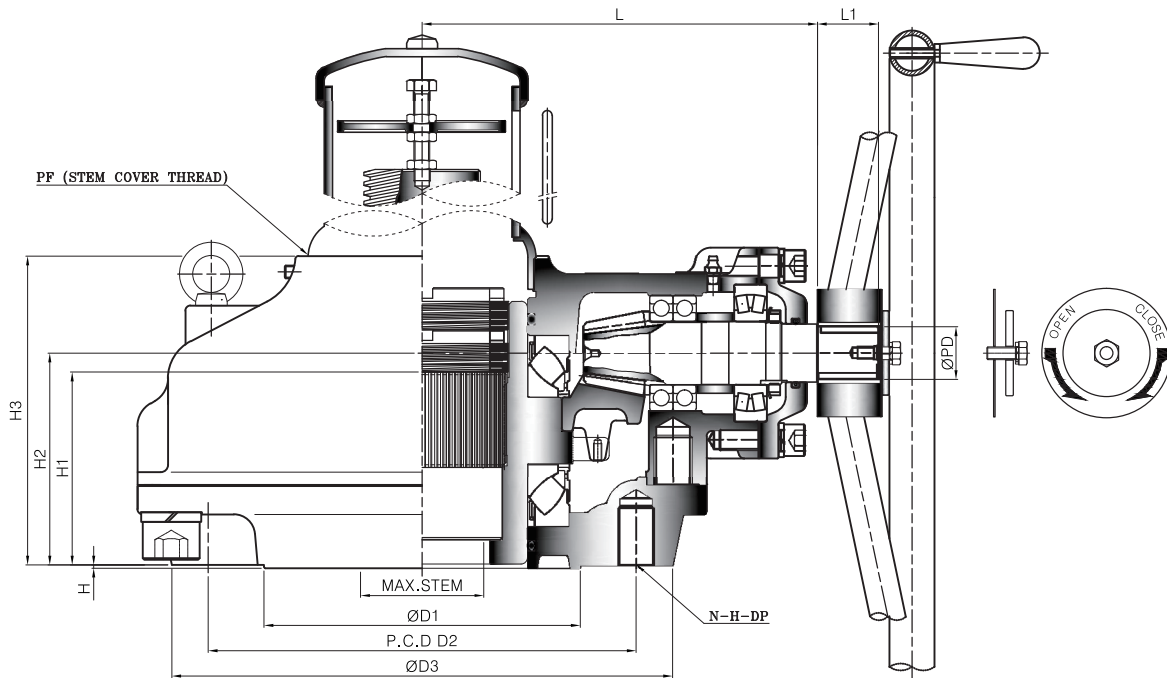


STANDARD TYPE-A

Thrust & Torque Horizontal Input



Dimension

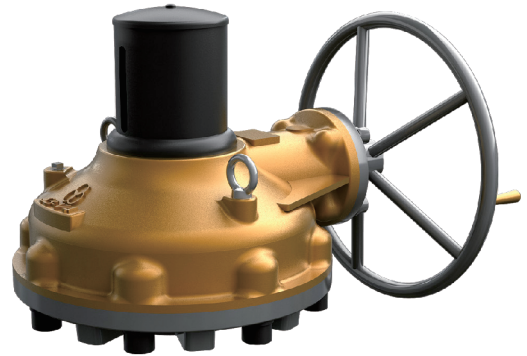
UNIT : mm

DIM MODEL	BASE PART						EXTERNAL PART				INPUT SHAFT PART		HAND WHEEL	STEM COVER		
	TYPE	FLANGE	ØD1	P.C.D		ØD3	H	H1	H2	H3	L	L1			ØPD	KEY
				ØD2	N-H-DP											
SB-VS10	A	F-10	70	102	4-M10-15	125	3	56	71	95	121	34	26	8X7	250	PF2"
SB-VS20		F-12	85	125	4-M12-18	150		63	78.5	106	131				300	
SB-V0		F-14	100	140	4-M16-24	175		72	81	121	154.5				400	
SB-V1		F-16	130	165	4-M20-30	210		84	98	140	167				500	
SB-V2	B	(F-16) F-20	140	205	8-M16-24	250	3	95	115	159.5	188	34	32	10X8	630	PF3-1/2"
SB-V3		F-25	200	254	8-M16-24	300		102	119	166.5	208				710	PF4"
SB-V35		F-30	230	298	8-M20-30	350		122	138	195	266				800	PF5"
SB-V4		F-35	260	356	8-M30-45	410		133	150	209	291				900	PF6"
SB-V5		F-35	260	356	8-M30-45	415		161	177	245	313					
SB-V55		F-40	300	406	8-M36-55	475		171	192	261	333				1000	PF8"
SB-V6	F-40	300	406	8-M36-55	475	185	201	283	381							
SB-V7	C	F-48	370	483	12-M36-55	560	5	206	222	309	409	58	50	16X10	1000	PF8"
SB-V75		F-48	370	483	12-M36-55	560		221	248	340	441				1000	PF10"
SB-V8		F-48	370	483	12-M36-55	560		233	259	352	472				1000	PF10"
SB-V85	D	F-60	470	603	20-M36-55	700	5	248	278	373	525	58	50	16X10	1000	PF12"
SB-V9		F-60	470	603	20-M36-55	700		263	295	398	591				1000	PF12"
SB-V10		(F-60) F-80	650	800	20-M42-63	900		378	375	490	664				1000	PF12"

Spiral Bevel Gear Actuators

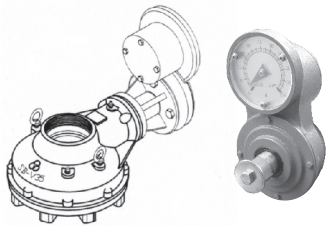
❖ Feature

- This series suitable for use with Gate & Globe type valve. Also sluice gates and any other type requiring linear motion for thrust and torque applications.
- Unique Top Entry Replaceable Stem Nut. High Tensile Aluminum bronze material providing corrosion and abrasion resistance.
- Castings are Ductile Iron, class 65-45-12 providing high strength and impact resistance.
- Heavy duty roller bearings supporting both radial & axial thrust loads.
- Gears are Machine cut, heat treated and ground for optimum operation. Units are completely O-Ring Sealed suitable for temporary submergence to meet Ip67 class.
- Many options, such as hand wheels, chain wheels, stem covers, position dial indicators are available.



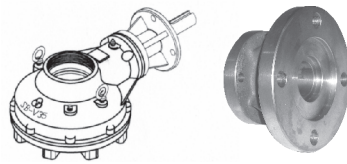
DIAL INDICATOR

A unique local position dial indicator is available. It is graduated in percent from 0% (close) to 100% (open).



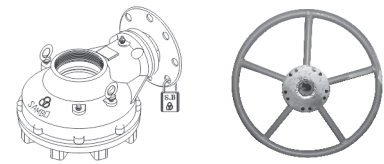
M · O · V OPTION

Bevel Gear can be provided with Motor actuator input flanges to accept standard ISO Mounting Base.



LOCKING DEVICE OPTION

Input can be equipped with a Handwheel locking device for Manually operated units.



❖ Selection Chart for Manual Operation

MODEL	SIZE GEAR RATIO	MAX. STEM ACCEPTANCE		MOUNTING OPTION & STANDARD	MAX. THRUST CAPACITY		MAX. TORQUE CAPACITY		WEIGHT Kg
		TW	KEY		KN	lbf	N-m	Ft. lbf	
SB-VS10	2.5 : 1	30	22 (8X7)	F-07, F-10	75.5	16970	220	162	8
SB-VS20	3 : 1	40	32 (10X8)	F-10, F-12	113	25400	370	273	11
SB-V0	3.25 : 1	46	38 (12X8)	F-10, F-12, F-14	127	28550	600	442	16
SB-V1	3.5 : 1	55	45 (14X9)	F-14, F-16	141	31700	980	723	22
SB-V2	4 : 1	62	52 (16X10)	F-14, F-16, (F-20)	190	42710	1500	1106	34
SB-V3	5 : 1	72	60 (18X11)	F-16, (F-20), F-25	288	64750	2500	1844	45
SB-V35	5.5 : 1	85	72 (20X12)	F-25, F-30	350	78680	3500	2581	78
SB-V4	6 : 1	98	84 (22X14)	F-25, F-30, F-35	400	89920	5200	3835	99
SB-V5	6.56 : 1	110	95 (28X16)	F-30, F-35	510	114650	7800	5753	150
SB-V55	7 : 1	120	105 (28X16)	F-30, F-35, F-40	1500	337210	10400	7671	201
SB-V6	7 : 1	130	115 (32X18)	F-30, F-35, F-40	2310	519300	13000	9588	253
SB-V7	7.56 : 1	150	130 (36X20)	F-40, F-48	2500	562020	17600	12981	318
SB-V75	8 : 1	160	140 (36X20)	F-40, F-48	3450	775590	21000	15489	460
SB-V8	8 : 1	180	160 (40X22)	F-40, F-48	4100	921700	32000	23602	473
SB-V85	8 : 1	190	170 (40X22)	F-48, F-60	5150	1157760	40000	29502	532
SB-V9	8 : 1	200	180 (45X25)	F-48, F-60	5450	1225180	55000	40566	736
SB-V10	8 : 1	230	200 (50X28)	F-60, (F-80)	7300	2585300	75000	55317	883

Size and component specification in this catalogue are subject to change without prior notice for quality improvement.