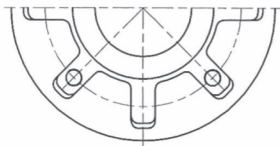
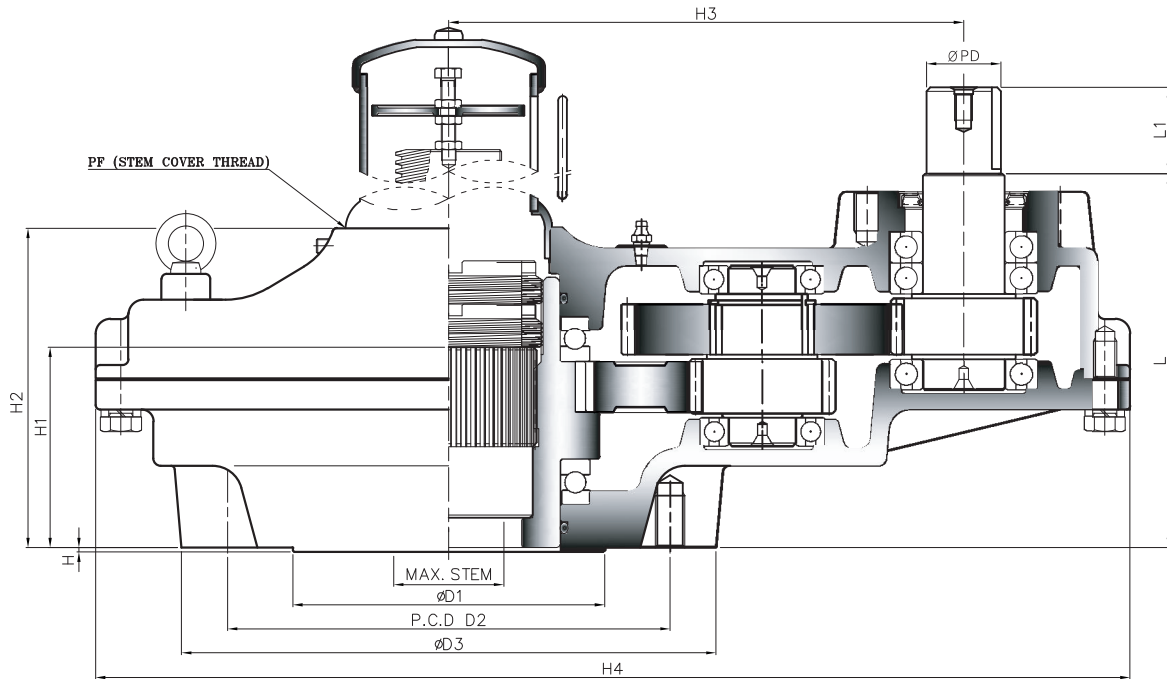
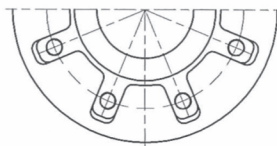


STANDARD TYPE-A

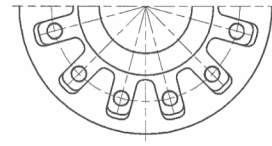
Vertical Input



TYPE - A



TYPE - B



TYPE - C

Dimension

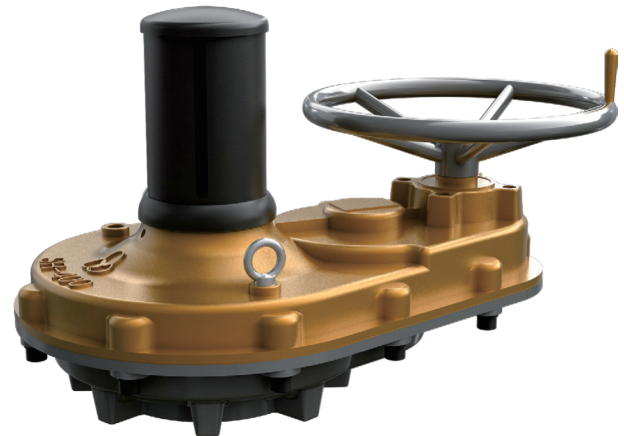
UNIT : mm

DIM MODEL	BASE PART						EXTERNAL PART					INPUT SHAFT PART			HAND WHEEL	STEM COVER				
	TYPE	FLANGE	ØD1	P.C.D		ØD3	H	H1	H2	H3	H4	L	L1	ØPD			KEY			
				ØD2	N-H-DP															
SB-SR50	A	F-12	85	125	4-M12-18	150	3	63	106	161	335	128	34	26	8X7	200	PF2-1/2"			
SB-SR100		F-16	130	165	4-M20-30	210		87	143	191.5	400	164				250	PF3"			
SB-SR200	B	F-16 (F-20)	140	205	8-M16-24	250	3	91	160	230	480	180	34	32	10X8	300	PF3-1/2"			
SB-SR300		F-25	200	254	8-M16-24	300		99	168	279	570	197				400	PF4"			
SB-SR350		F-30	230	298	8-M20-30	319		121	196	315	630	218				44	38	12X8	500	PF5"
SB-SR400		F-30	230	298	8-M20-30	350		133	215	346	691	239				44	38	12X8	500	PF6"
SB-SR500		F-35	260	356	8-M30-45	415		165	252	398	790	278							500	PF6"
SB-SR550		F-40	300	406	8-M36-55	449		172	263	413	840	302				58	50	16X10	500	PF6"
SB-SR600	F-40	300	406	8-M36-55	475	182	279	437.5	890	320				500	PF8"					
SB-SR700	C	F-48	370	483	12-M36-55	560	5	206	309	503	1030	353	58	50	16X10	630	PF8"			
SB-SR750		F-48	370	483	12-M36-55	595		220	334	527	1095	383				710	PF10"			
SB-SR800		F-48	370	483	12-M36-55	630		233	354	559	1160	406				710	PF10"			

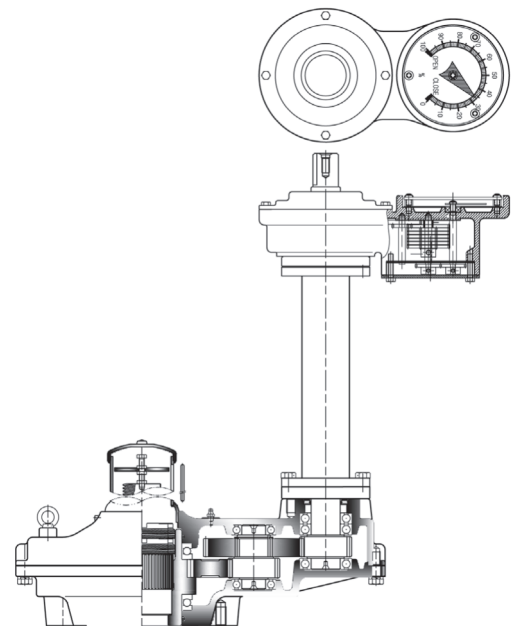
Spur Gear Actuators

❖ Feature

- This series suitable for use with Gate & Globe type valve.
Also sluice gates and any other type requiring linear motion for thrust and torque applications.
- Unique Top Entry Replaceable Stem Nut.
High Tensile Aluminum bronze material providing corrosion and abrasion resistance.
- Castings are Ductile Iron, class 65-45-12 providing high strength and impact resistance.
- Heavy duty roller bearings supporting both radial & axial thrust loads.
- Gears are Machine cut, heat treated and ground for optimum operation. Units are completely O-Ring Sealed suitable for temporary submergence to meet Ip67 class.
- Many options, such as hand wheels, chain wheels, stem covers, position dial indicators are available.



❖ Extension Dial Type



❖ Selection Chart for Manual Operation

MODEL \ SIZE	GEAR RATIO (Changeable)	MAX. STEM ACCEPTANCE		MOUNTING OPTION & STANDARD	MAX. THRUST CAPACITY		MAX. TORQUE CAPACITY		WEIGHT Kg
		TW	KEY		KN	lbf	N-m	Ft. lbf	
SB-SR50	2~10 : 1	40	32 (10X8)	F-10, F-12	113	25400	370	273	16
SB-SR100	2.5~12 : 1	55	45 (14X9)	F-14, F-16	141	31700	980	723	35
SB-SR200	3~12 : 1	62	52 (16X10)	F-14, F-16, (F-20)	190	42710	1500	1106	48
SB-SR300	3~13 : 1	72	60 (18X11)	F-16, (F-20), F-25	288	64750	2500	1844	70
SB-SR350	4~13 : 1	85	72 (20X12)	F-25, F-30	350	78680	3500	2581	101
SB-SR400	4~14 : 1	98	84 (22X14)	F-25, F-30	400	89920	5200	3835	132
SB-SR500	4~15 : 1	115	100 (28X16)	F-30, F-35	510	114650	7800	5753	220
SB-SR550	4~15 : 1	120	105 (28X16)	F-35, F-40	1500	337210	10400	7671	273
SB-SR600	5~16 : 1	130	115 (32X18)	F-35, F-40	2310	519300	13000	9588	325
SB-SR700	5~17 : 1	150	130 (36X20)	F-40, F-48	2500	562020	17600	12981	448
SB-SR750	5~17 : 1	160	140 (36X20)	F-48	3450	775590	21000	15489	539
SB-SR800	5~17 : 1	180	160 (40X22)	F-48	4100	921700	32000	23602	630

Size and component specification in this catalogue are subject to change without prior notice for quality improvement.