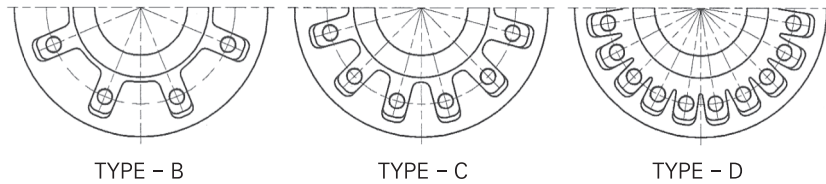
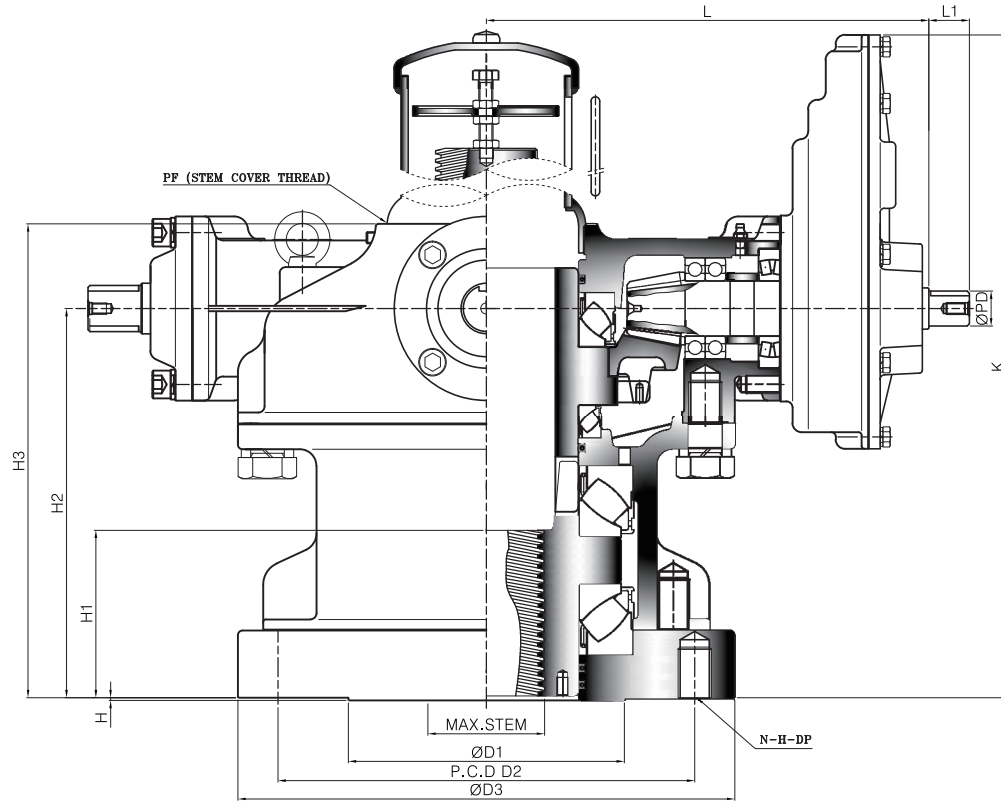


STANDARD TYPE-F Multiple Input Shaft

High Load Thrust & Torque Horizontal Input
with Double Reduction Gear Attachment

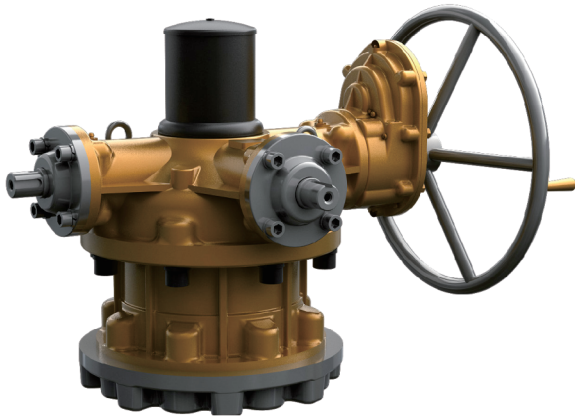


Dimension

UNIT : mm

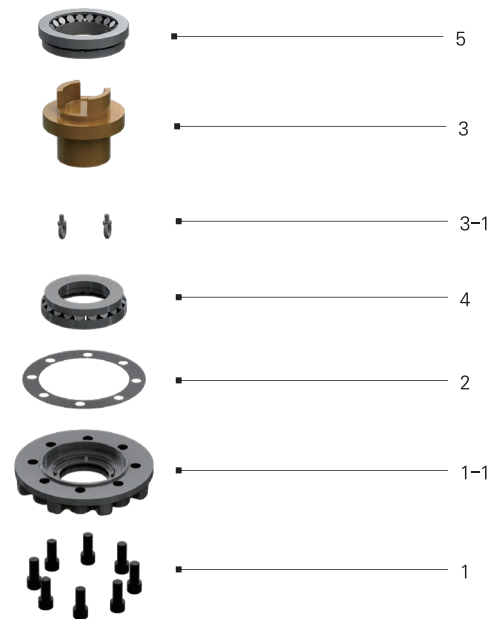
DIM MODEL	BASE PART							EXTERNAL PART					INPUT SHAFT PART			HAND WHEEL	STEM COVER			
	TYPE	FLANGE	ØD1	P.C.D		ØD3	H	H1	H2	H3	K	L	L1	ØPD	KEY					
				ØD2	N-H-DP															
SB-V2HW-1SD	B	F-25	200	254	8-M16-24	300	3	99	229	273.5	373	260.5	34	26	8X7	400	PF3-1/2"			
SB-V3HW-1SD		F-30	230	298	8-M20-30	350		118	263	310	407	280.5				500	PF4"			
SB-V35HW-1SD		F-35	260	356	8-M30-45	415		143	316	373	511	369				34	32	10X8	630	PF5"
SB-V4HW-1SD			155	342	401	537		394	710	PF6"										
SB-V5HW-1SD			F-40	300	406	8-M36-55		475	172	376	444	625							426	710
SB-V55HW-1SD	C	F-48	370	483	12-M36-55	560	5	186	410	479	659	446	34	32	10X8	710	PF6"			
SB-V6HW-1SD		F-48	370	483	12-M36-55	560		197	429	511	726.5	498				44	38	12X8	800	PF8"
SB-V7HW-1SD		F-48	370	483	12-M36-55	560		217	475	562	772.5	526							900	PF8"
SB-V75HW-1SD	D	F-60	470	603	20-M36-55	700	5	229	505	597	885	666	58	50	16X10	1000	PF10"			
SB-V8HW-1SD		F-60	470	603	20-M36-55	700		242	540	635	920	697								
SB-V85HW-1SD		F-60	470	603	20-M36-55	700		269	612	706	992	741								
SB-V9HW-1SD		F-80	650	800	20-M42-63	900		281	636	739	1124	876								
SB-V10HW-1SD		F-80	650	800	20-M42-63	900		305	701	816	1189	941								

Spiral Bevel Gear Actuators



Disassembly flow chart of thrust bush for processing of stem thread

1. Remove base plate socket head cap screws and base plate.
2. Remove Gasket
3. Use eye-bolts from housing and thread into tapped holes on end of the drive bushing.
4. Lift drive bushing with lower roller bearing.
5. Remove roller bearing from drive bushing.
6. Thread bushing as required.
7. Add grease as necessary.
8. Re-assembly in reverse order.



Feature

- This series suitable for extreme high thrust loads for use with Gate & Glove type valves. Also sluice gates and any other type requiring linear motion for high load thrust and torque applications.
- Bottom entry type stem nut. High tensile aluminum bronze material providing corrosion and abrasion resistance.
- Castings are Ductile Iron, class 65-45-12 providing high strength and impact resistance.
- Heavy duty roller bearings supporting both radial & axial thrust loads.
- Gears are Machine cut, heat treated and ground for optimum operation Units are completely O-Ring Sealed suitable for temporary submergence to meet Ip67 class.
- Many options, such as hand wheels, chain wheels, stem covers, position dial indicators are available.

Selection Chart for Manual Operation

MODEL	SIZE	MAX. GEAR RATIO (Changeable)	MAX. STEM ACCEPTANCE		MOUNTING OPTION & STANDARD	MAX. THRUST CAPACITY		MAX. TORQUE CAPACITY		WEIGHT
			TW	KEY		KN	lbf	N-m	Ft . lbf	
SB-V2HW-1SD		25.67 : 1	65	55 (16X10)	(F-20), F-25	1080	242800	2900	2139	74
SB-V3HW-1SD		32.08 : 1	80	70 (20X12)	F-25, F-30	1710	384400	4500	3319	105
SB-V35HW-1SD		49.5 : 1	95	85 (22X14)	F-25, F-30, F-35	2450	550800	7000	5163	178
SB-V4HW-1SD		54 : 1	110	95 (25X14)		2900	651900	9800	7228	223
SB-V5HW-1SD		80.31 : 1	130	115 (32X18)	F-30, F-35, F-40	3500	786800	15000	11063	289
SB-V55HW-1SD		85.75 : 1	140	120 (32X18)	F-35, F-40, F-48	4200	944197	19000	14014	416
SB-V6HW-1SD		112 : 1	150	130 (36X20)	F-35, F-40, F-48	4700	1056600	23000	16964	576
SB-V7HW-1SD		120.88 : 1	170	150 (40X22)	F-48	5200	1169000	37000	27290	648
SB-V75HW-1SD		200 : 1	190	170 (40X22)	F-48, F-60	6800	1528701	46000	33928	978
SB-V8HW-1SD		200 : 1	215	185 (45X25)	F-48, F-60	7650	1719800	58000	42778	1070
SB-V85HW-1SD		200 : 1	225	195 (45X25)	F-48, F-60	9100	2045760	74000	54579	1338
SB-V9HW-1SD		200 : 1	240	215 (50X28)	F-60, F-80	9400	2113200	104000	76706	1954
SB-V10HW-1SD		200 : 1	270	240 (56X32)	F-60, F-80	11500	2585300	142000	104734	2137

Size and component specification in this catalogue are subject to change without prior notice for quality improvement.