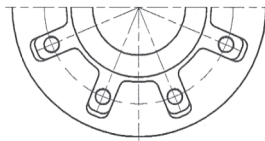
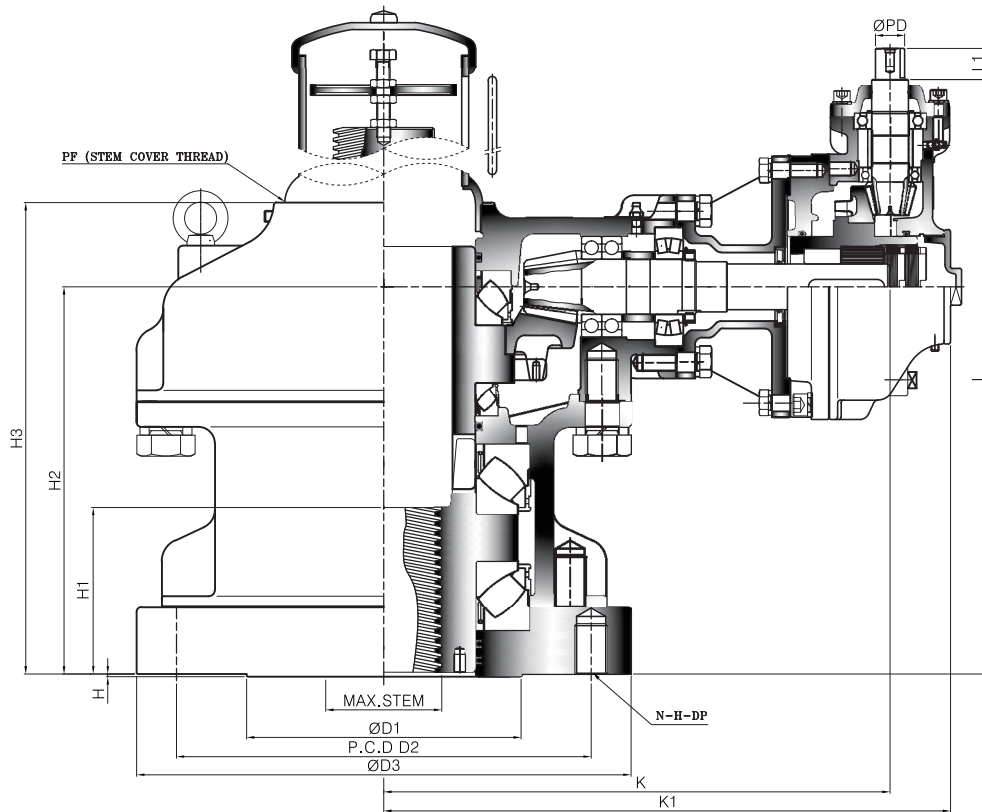
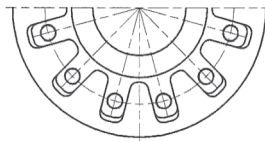


STANDARD TYPE-E

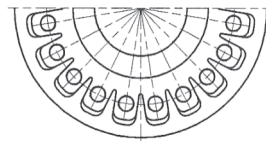
High Load Thrust & Torque Vertical Input with Single Reduction Gear Attachment



TYPE - B



TYPE - C



TYPE - D

Dimension

UNIT : mm

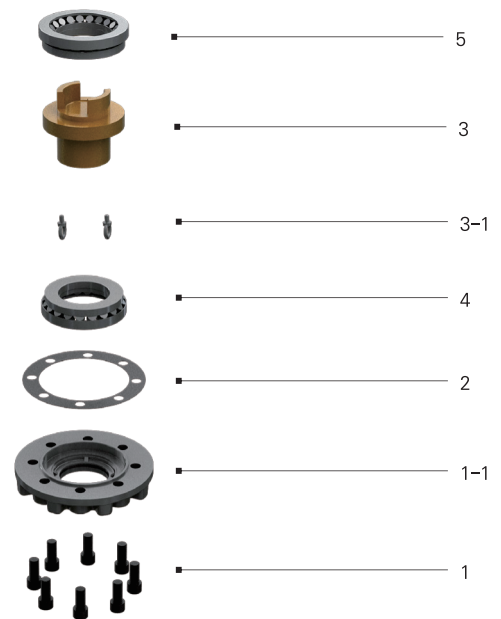
| DIM MODEL | BASE PART | | | | | | EXTERNAL PART | | | | | INPUT SHAFT PART | | | HAND WHEEL | STEM COVER | | |
|--------------|-----------|--------|-----|-------|-----------|-----|---------------|-----|-----|-------|-------|------------------|-------|----|------------|------------|------|----------|
| | TYPE | FLANGE | ØD1 | P.C.D | | ØD3 | H | H1 | H2 | H3 | K | K1 | L | L1 | | | ØPD | KEY |
| | | | | ØD2 | N-H-DP | | | | | | | | | | | | | |
| SB-V2H-2B | B | F-25 | 200 | 254 | 8-M16-24 | 300 | 3 | 99 | 229 | 273.5 | 299 | 340 | 350 | 34 | 26 | 8X7 | 300 | PF3-1/2" |
| SB-V3H-2B | | F-30 | 230 | 298 | 8-M20-30 | 350 | | 118 | 263 | 310 | 326.5 | 368 | 394 | | | | 400 | PF4" |
| SB-V35H-2B | | F-35 | 260 | 356 | 8-M30-45 | 415 | | 143 | 316 | 373 | 415 | 474 | 470.5 | | | | 500 | PF5" |
| SB-V4H-2B | | F-40 | 300 | 406 | 8-M36-55 | 475 | | 155 | 342 | 401 | 457 | 521 | 509 | | | | 630 | PF6" |
| SB-V5H-2B | | F-48 | 370 | 483 | 12-M36-55 | 560 | | 172 | 376 | 444 | 419 | 488.5 | 564 | | | | 630 | PF6" |
| SB-V55H-2B | C | F-48 | 370 | 483 | 12-M36-55 | 560 | 5 | 186 | 410 | 479 | 439 | 508.5 | 598 | 34 | 32 | 10X8 | 710 | PF8" |
| SB-V6H-2B | | F-48 | 370 | 483 | 12-M36-55 | 560 | | 197 | 429 | 511 | 482 | 557.5 | 637 | | | | 800 | PF10" |
| SB-V7H-2B | | F-48 | 370 | 483 | 12-M36-55 | 560 | | 217 | 475 | 562 | 510 | 585.5 | 683 | | | | 900 | PF12" |
| SB-V75H-2B | D | F-60 | 470 | 603 | 20-M36-55 | 700 | 5 | 229 | 505 | 597 | 567 | 639 | 771 | 44 | 38 | 12X8 | 1000 | PF12" |
| SB-V8H-2B | | F-60 | 470 | 603 | 20-M36-55 | 700 | | 242 | 540 | 635 | 608 | 670 | 806 | | | | 900 | PF12" |
| SB-V85H-2B | | F-60 | 470 | 603 | 20-M36-55 | 700 | | 269 | 612 | 706 | 654 | 730 | 903 | | | | 1000 | PF12" |
| SB-V9H-2B | | F-80 | 650 | 800 | 20-M42-63 | 900 | | 281 | 636 | 739 | 749 | 833 | 970 | | | | 1000 | PF12" |
| SB-V10H-2B | | F-80 | 650 | 800 | 20-M42-63 | 900 | | 305 | 701 | 816 | 845 | 938 | 1076 | | | | 58 | 50 |

Spiral Bevel Gear Actuators



Disassembly flow chart of thrust bush for processing of stem thread

1. Remove base plate socket head cap screws and base plate.
2. Remove Gasket
3. Use eye-bolts from housing and thread into tapped holes on end of the drive bushing.
4. Lift drive bushing with lower roller bearing.
5. Remove roller bearing from drive bushing.
6. Thread bushing as required.
7. Add grease as necessary.
8. Re-assembly in reverse order.



Feature

- This series suitable for extreme high thrust loads for use with Gate & Glove type valves. Also sluice gates and any other type requiring linear motion for high load thrust and torque applications.
- Bottom entry type stem nut. High tensile aluminum bronze material providing corrosion and abrasion resistance.
- Castings are Ductile Iron, class 65-45-12 providing high strength and impact resistance.
- Heavy duty roller bearings supporting both radial & axial thrust loads.
- Gears are Machine cut, heat treated and ground for optimum operation Units are completely O-Ring Sealed suitable for temporary submergence to meet Ip67 class.
- Many options, such as hand wheels, chain wheels, stem covers, position dial indicators are available.

Selection Chart for Manual Operation

| MODEL | SIZE | GEAR RATIO | MAX. STEM ACCEPTANCE | | MOUNTING OPTION & STANDARD | MAX. THRUST CAPACITY | | MAX. TORQUE CAPACITY | | WEIGHT |
|------------|------|------------|----------------------|-------------|----------------------------|----------------------|---------|----------------------|----------|--------|
| | | | TW | KEY | | KN | lbf | N-m | Ft . lbf | |
| SB-V2H-2B | | 10 : 1 | 65 | 55 (16X10) | (F-20), F-25 | 1080 | 242800 | 2900 | 2139 | 71 |
| SB-V3H-2B | | 15 : 1 | 80 | 70 (20X12) | F-25, F-30 | 1710 | 384400 | 4500 | 3319 | 105 |
| SB-V35H-2B | | 17.87 : 1 | 95 | 85 (22X14) | F-25, F-30, F-35 | 2450 | 550800 | 7000 | 5163 | 173 |
| SB-V4H-2B | | 21 : 1 | 110 | 95 (25X14) | | 2900 | 651900 | 9800 | 7228 | 222 |
| SB-V5H-2B | | 26.22 : 1 | 130 | 115 (32X18) | F-30, F-35, F-40 | 3500 | 786800 | 15000 | 11063 | 297 |
| SB-V55H-2B | | 35 : 1 | 140 | 120 (32X18) | F-35, F-40, F-48 | 4200 | 944197 | 19000 | 14014 | 424 |
| SB-V6H-2B | | 35 : 1 | 150 | 130 (36X20) | F-35, F-40, F-48 | 4700 | 1056600 | 23000 | 16964 | 565 |
| SB-V7H-2B | | 37.77 : 1 | 170 | 150 (40X22) | F-48 | 5200 | 1169000 | 37000 | 27290 | 635 |
| SB-V75H-2B | | 40 : 1 | 190 | 170 (40X22) | F-48, F-60 | 6800 | 1528701 | 46000 | 33928 | 943 |
| SB-V8H-2B | | 44 : 1 | 215 | 185 (45X25) | F-48, F-60 | 7650 | 1719800 | 58000 | 42778 | 1032 |
| SB-V85H-2B | | 48 : 1 | 225 | 195 (45X25) | F-48, F-60 | 9100 | 2045760 | 74000 | 54579 | 1319 |
| SB-V9H-2B | | 52.44 : 1 | 240 | 215 (50X28) | F-60, F-80 | 9400 | 2113200 | 104000 | 76706 | 1951 |
| SB-V10H-2B | | 56 : 1 | 270 | 240 (56X32) | F-60, F-80 | 11500 | 2585300 | 142000 | 104734 | 2207 |

Size and component specification in this catalogue are subject to change without prior notice for quality improvement.