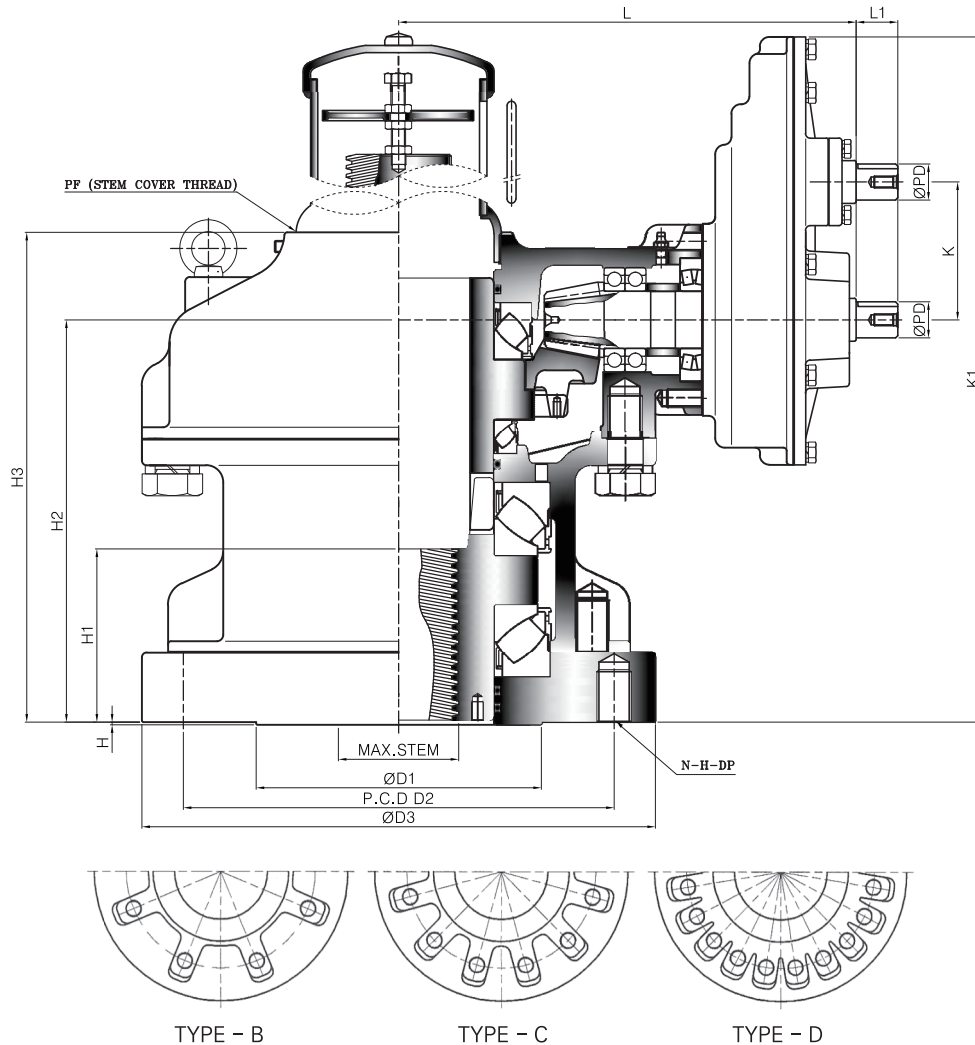


STANDARD TYPE-E Twin Shaft

High Load Thrust & Torque (Twin Shaft) Horizontal Input with Double Reduction Gear Attachment

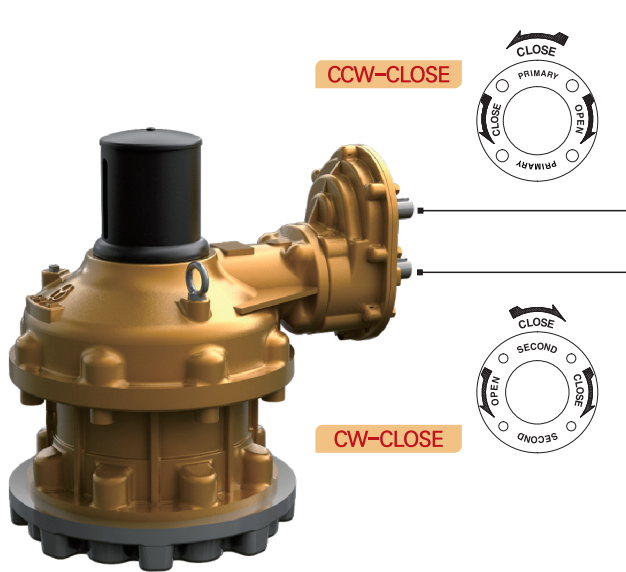


Dimension

UNIT : mm

DIM MODEL	BASE PART						EXTERNAL PART					INPUT SHAFT PART			HAND WHEEL	STEM COVER							
	TYPE	FLANGE	ØD1	P.C.D		ØD3	H	H1	H2	H3	K	K1	L	L1			ØPD	KEY					
				ØD2	N-H-DP																		
SB-V2H-1SDT	B	F-25	200	254	8-M16-24	300	3	99	229	273.5	69	373	260.5	34	26	8X7	400	PF3-1/2"					
SB-V3H-1SDT		F-30	230	298	8-M20-30	350		407	280.5	511		369											
SB-V35H-1SDT		F-35	260	356	8-M30-45	415		93	537	394	630	PF5"											
SB-V4H-1SDT		F-40	300	406	8-M36-55	475		121	625	426	710	PF6"											
SB-V5H-1SDT								172	376	444	625	426	710										
SB-V55H-1SDT	C	F-48	370	483	12-M36-55	560	5	186	410	479	121	659	446	34	32	10X8	710	PF6"					
SB-V6H-1SDT		F-48	370	483	12-M36-55	560		197	429	511		726.5	498				44	38	12X8	800	PF8"		
SB-V7H-1SDT		F-48						217	475	562	145	772.5	526				900						
SB-V75H-1SDT	D	F-60	470	603	20-M36-55	700	5	229	505	597	186	885	666	58	50	16X10	1000	PF10"					
SB-V8H-1SDT		F-60	470	603	20-M36-55	700		242	540	635		920	697				58		50	16X10	1000		
SB-V85H-1SDT		F-60						269	612	706	992	741	58				50	16X10	1000				
SB-V9H-1SDT		F-80	650	800	20-M42-63	900		281	636	739	1124	876	238				1189	941	58	50	16X10	1000	PF12"
SB-V10H-1SDT		F-80						305	701	816	1189	941											

Spiral Bevel Gear Actuators



Primary Input Shaft (High Speed Input Shaft)

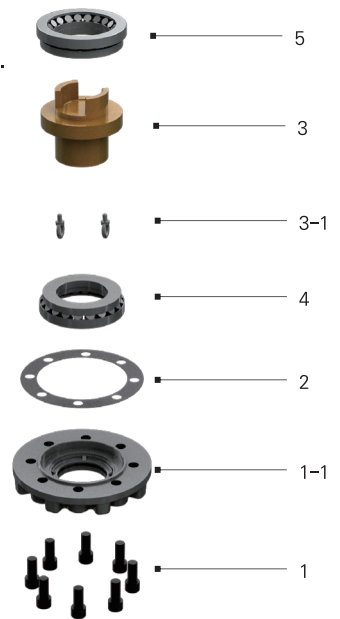
Allow for less turns after valve has been unseating.

Second Input Shaft (Low Speed Input Shaft)

Provides maximum mechanical advantage for seating and unseating of valves.

Disassembly flow chart of thrust bush for processing of stem thread

1. Remove base plate socket head cap screws and base plate.
2. Remove Gasket
3. Use eye-bolts from housing and thread into tapped holes on end of the drive bushing.
4. Lift drive bushing with lower roller bearing.
5. Remove roller bearing from drive bushing.
6. Thread bushing as required.
7. Add grease as necessary.
8. Re-assembly in reverse order.



Feature

- This series suitable for extreme high thrust loads for use with Gate & Glove type valves. Also sluice gates and any other type requiring linear motion for high load thrust and torque applications.
- Bottom entry type stem nut. High tensile aluminum bronze material providing corrosion and abrasion resistance.
- Castings are Ductile Iron, class 65-45-12 providing high strength and impact resistance.
- Heavy duty roller bearings supporting both radial & axial thrust loads.
- Gears are Machine cut, heat treated and ground for optimum operation Units are completely O-Ring Sealed suitable for temporary submergence to meet Ip67 class.
- Many options, such as hand wheels, chain wheels, stem covers, position dial indicators are available.

Selection Chart for Manual Operation

SIZE MODEL	GEAR RATIO		MAX. STEM ACCEPTANCE		MOUNTING OPTION & STANDARD	MAX. THRUST CAPACITY		MAX. TORQUE CAPACITY		WEIGHT Kg
	PRIMARY	SECOND	TW	KEY		KN	lbf	N-m	Ft. lbf	
SB-V2H-1SDT	10.13 : 1	25.67 : 1	65	55 (16X10)	(F-20), F-25	1080	242800	2900	2139	71
SB-V3H-1SDT	12.66 : 1	32.08 : 1	80	70 (20X12)	F-25, F-30	1710	384400	4500	3319	102
SB-V35H-1SDT	16.5 : 1	49.5 : 1	95	85 (22X14)	F-25, F-30, F-35	2450	550800	7000	5163	174
SB-V4H-1SDT	18 : 1	54 : 1	110	95 (25X14)		2900	651900	9800	7228	216
SB-V5H-1SDT	22.94 : 1	80.31 : 1	130	115 (32X18)	F-30, F-35, F-40	3500	786800	15000	11063	280
SB-V55H-1SDT	24.5 : 1	85.75 : 1	140	120 (32X18)	F-35, F-40, F-48	4200	944197	19000	14014	407
SB-V6H-1SDT	28 : 1	112 : 1	150	130 (36X20)	F-35, F-40, F-48	4700	1056600	23000	16964	566
SB-V7H-1SDT	30.22 : 1	120.88 : 1	170	150 (40X22)	F-48	5200	1169000	37000	27290	636
SB-V75H-1SDT	40 : 1	200 : 1	190	170 (40X22)	F-48, F-60	6800	1528701	46000	33928	965
SB-V8H-1SDT	40 : 1	200 : 1	215	185 (45X25)	F-48, F-60	7650	1719800	58000	42778	1055
SB-V85H-1SDT	40 : 1	200 : 1	225	195 (45X25)	F-48, F-60	9100	2045760	74000	54579	1320
SB-V9H-1SDT	40 : 1	200 : 1	240	215 (50X28)	F-60, F-80	9400	2113200	104000	76706	1932
SB-V10H-1SDT	40 : 1	200 : 1	270	240 (56X32)	F-60, F-80	11500	2585300	142000	104734	2104

Size and component specification in this catalogue are subject to change without prior notice for quality improvement.