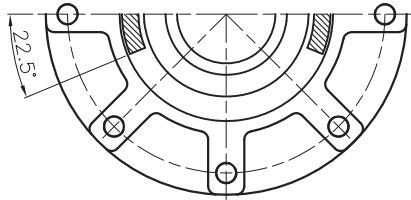
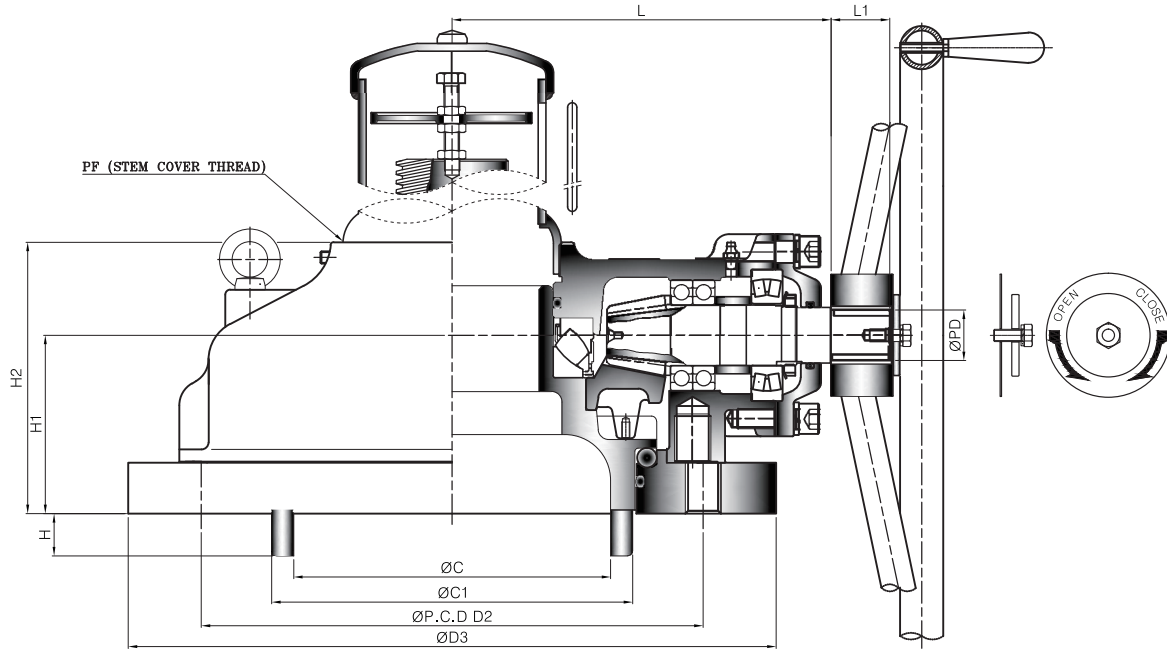
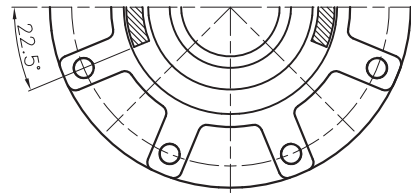


STANDARD TYPE-C Torque Only Lug Drive

Horizontal Input



TYPE - A



TYPE - B

Dimension

UNIT : mm

DIM MODEL	TYPE	FLANGE	BASE PART			CLAMP PART			EXTERNAL PART			INPUT SHAFT PART			HAND WHEEL	STEM COVER
			P.C.D		ØD3	ØC	ØC1	H	H1	H2	L	L1	ØPD	KEY		
			ØD2	N-H-DP												
SB-VS10C	A	F-14	140	8-3/8"-16UNC	190	74	87	10	72	96	121	34	26	8X7	300	PF2"
		F-16	165	8-1/2"-13UNC												
SB-VS20C		F-16	165	8-1/2"-13UNC	220	91	105	11	73	100	131	34	32	10X8	400	PF2-1/2"
		(F-20)	193.7													
SB-V0C		F-16	165	8-1/2"-13UNC	220	110	126	14	75	115	155	34	32	10X8	500	PF3"
		(F-20)	193.7													
SB-V1C		(F-20)	193.7	8-1/2"-13UNC	300	128	146	17	90	132	167	34	32	10X8	630	PF3-1/2"
		F-25	254													
SB-V2C		F-25	254	8-5/8"-11UNC	350	146	166	19	107	152	188	34	32	10X8	710	PF4"
		F-30	298	8-3/4"-10UNC												
SB-V3C	F-30	298	8-3/4"-10UNC	415	173	197	21	110	158	209	34	32	10X8	800	PF5"	
	F-35	356	8-1"-8UNC													
SB-V35C	F-35	356	8-1"-8UNC	475	220	247	23	122	184	266	44	38	12X8	900	PF6"	
	F-40	406	8-11/4"-7UNC													
SB-V4C	F-35	356	8-11/4"-7UNC	475	258	292	25	145	202	291	44	38	12X8	900	PF6"	
	F-40	406														
SB-V5C	F-35	356	8-11/4"-7UNC	480	266	306	27	172	242	334	44	38	12X8	900	PF6"	
	F-40	406														

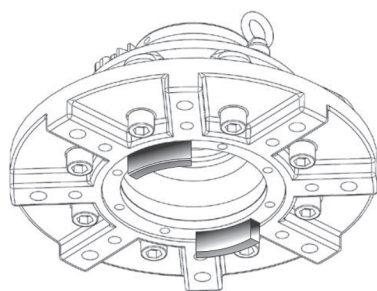
Spiral Bevel Gear Actuators

❖ Feature

- This series suitable for use with Gate & Globe type valve. Also sluice gates and any other type requiring linear motion for torque applications.
- Castings are Ductile Iron, class 65-45-12 providing high strength and impact resistance.
- Heavy duty roller bearings supporting both radial & axial thrust loads.
- Gears are Machine cut, heat treated and ground for optimum operation Units are completely O-Ring Sealed suitable for temporary submergence to meet IP67 class.
- Many options, such as hand wheels, chain wheels, stem covers, position dial indicators are available.

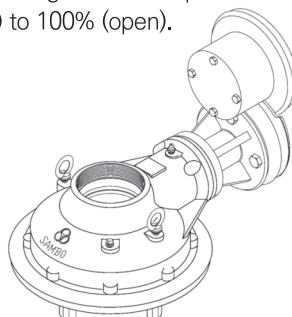


MOUNTING BASE



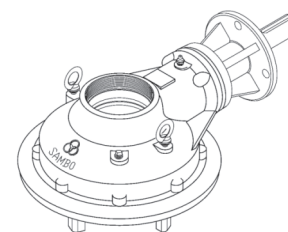
DIAL INDICATOR

A unique local position dial indicator is available. It is graduated in percent from 0% (close) to 100% (open).



M · O · V OPTION

Bevel Gear can be provided with Motor actuator input flanges to accept standard ISO Mounting Base.



❖ Selection Chart for Manual Operation

MODEL	SIZE	GEAR RATIO	MAX. STEM ACCEPTANCE	MAX. TORQUE CAPACITY		WEIGHT
				N-m	Ft. lbf	Kg
SB-VS10C		2.5 : 1	42	220	162	7.5
SB-VS20C		3 : 1	50	370	273	10
SB-V0C		3.25 : 1	60	600	442	14.5
SB-V1C		3.5 : 1	69	980	723	21
SB-V2C		4 : 1	79	1500	1106	29
SB-V3C		5 : 1	97	2500	1844	45
SB-V35C		5.5 : 1	115	3500	2581	72
SB-V4C		6 : 1	130	5200	3835	91
SB-V5C		6.5 : 1	145	7800	5752	123

Size and component specification in this catalogue are subject to change without prior notice for quality improvement.