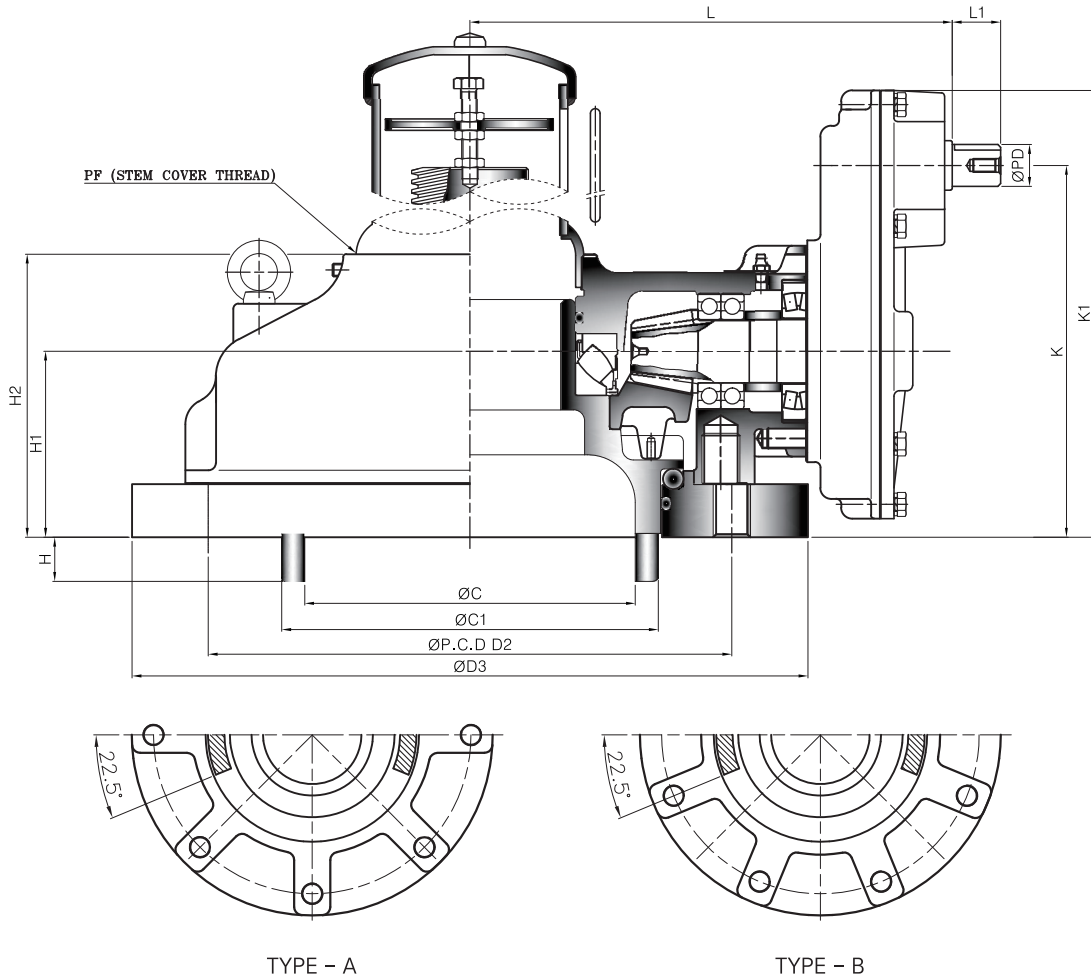


STANDARD TYPE-C Torque Only Lug Drive

Horizontal Input with Single Reduction Gear Attachment



TYPE - A

TYPE - B

Dimension

UNIT : mm

DIM MODEL	TYPE	FLANGE	BASE PART		CLAMP PART				EXTERNAL PART				INPUT SHAFT PART			HAND WHEEL	STEM COVER						
			P.C.D		ØD3	ØC	ØC1	H	H1	H2	K	K1	L	L1	ØPD			KEY					
			ØD2	N-H-DP																			
SB-VS10C-1S	A	F-14	140	8-3/8"-16UNC	190	74	87	10	72	96	151	194	174	34	26	8X7	250	PF2"					
		F-16	165	8-1/2"-13UNC																			
SB-VS20C-1S		F-16	165	8-1/2"-13UNC	220	91	105	11	73	100	151	195	184					34	26	8X7	300	PF2-1/2"	
		(F-20)	193.7																				
SB-V0C-1S		F-16	165	8-1/2"-13UNC	220	110	126	14	75	115	154	197	202					34	26	8X7	300	PF3"	
		(F-20)	193.7																				
SB-V1C-1S		(F-20)	193.7	8-1/2"-13UNC	300	128	146	17	90	132	169	212	214					34	26	8X7	300	PF3"	
		F-25	254																				8-5/8"-11UNC
SB-V2C-1S		B	F-25	254	8-5/8"-11UNC	350	146	166	19	107	152	200	248					237	34	26	8X7	400	PF3-1/2"
			F-30	298	8-3/4"-10UNC																		
SB-V3C-1S	F-30		298	8-3/4"-10UNC	415	173	197	21	110	158	204	251	257	34	26	8X7	500	PF4"					
	F-35		356																				8-1"-8UNC
SB-V35C-1S	F-35		356	8-1"-8UNC	475	220	247	23	122	184	249	305	333	34	32	10X8	630	PF5"					
	F-40		406																				8-11/4"-7UNC
SB-V4C-1S	F-35		356	8-11/4"-7UNC	475	258	292	25	145	202	260	317	358	34	32	10X8	710	PF6"					
	F-40		406																				
SB-V5C-1S	F-35		356	8-11/4"-7UNC	480	266	306	27	172	242	293	350	401	34	32	10X8	710	PF6"					
	F-40		406																				

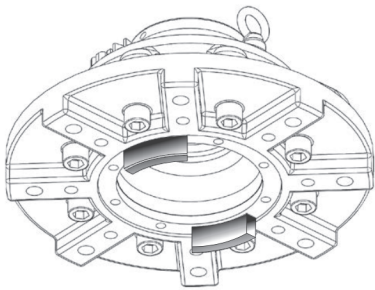
Spiral Bevel Gear Actuators

❖ Feature

- This series suitable for use with Gate & Globe type valve. Also sluice gates and any other type requiring linear motion for torque applications.
- Castings are Ductile Iron, class 65-45-12 providing high strength and impact resistance.
- Heavy duty roller bearings supporting both radial & axial thrust loads.
- Gears are Machine cut, heat treated and ground for optimum operation Units are completely O-Ring Sealed suitable for temporary submergence to meet IP67 class.
- Many options, such as hand wheels, chain wheels, stem covers, position dial indicators are available.

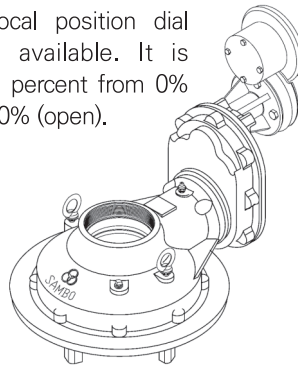


MOUNTING BASE



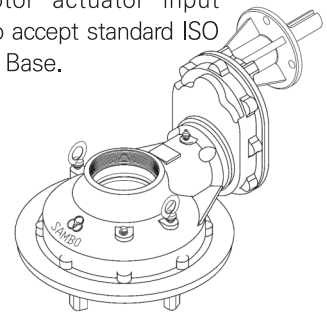
DIAL INDICATOR

A unique local position dial indicator is available. It is graduated in percent from 0% (close) to 100% (open).



M · O · V OPTION

Bevel Gear can be provided with Motor actuator input flanges to accept standard ISO Mounting Base.



❖ Selection Chart for Manual Operation

MODEL \ SIZE	GEAR RATIO	MAX. STEM ACCEPTANCE	MAX. TORQUE CAPACITY		WEIGHT
			N-m	Ft . lbf	Kg
SB-VS10C-1S	5 : 1	42	220	162	9.5
SB-VS20C-1S	6 : 1	50	370	273	12.5
SB-V0C-1S	6.5 : 1	60	600	442	25
SB-V1C-1S	7 : 1	69	980	723	32
SB-V2C-1S	10.13 : 1	79	1500	1106	45
SB-V3C-1S	12.66 : 1	97	2500	1844	60
SB-V35C-1S	16.5 : 1	115	3500	2581	95
SB-V4C-1S	18 : 1	130	5200	3835	120
SB-V5C-1S	19.5 : 1	145	7800	5752	135

Size and component specification in this catalogue are subject to change without prior notice for quality improvement.