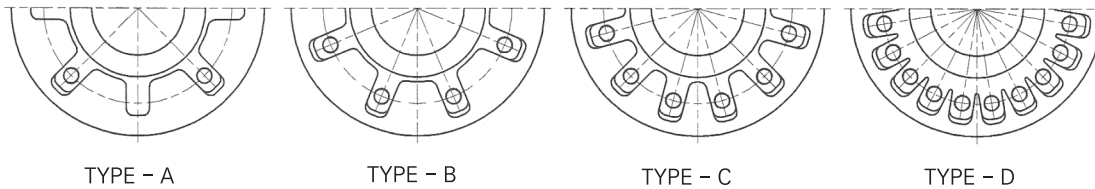
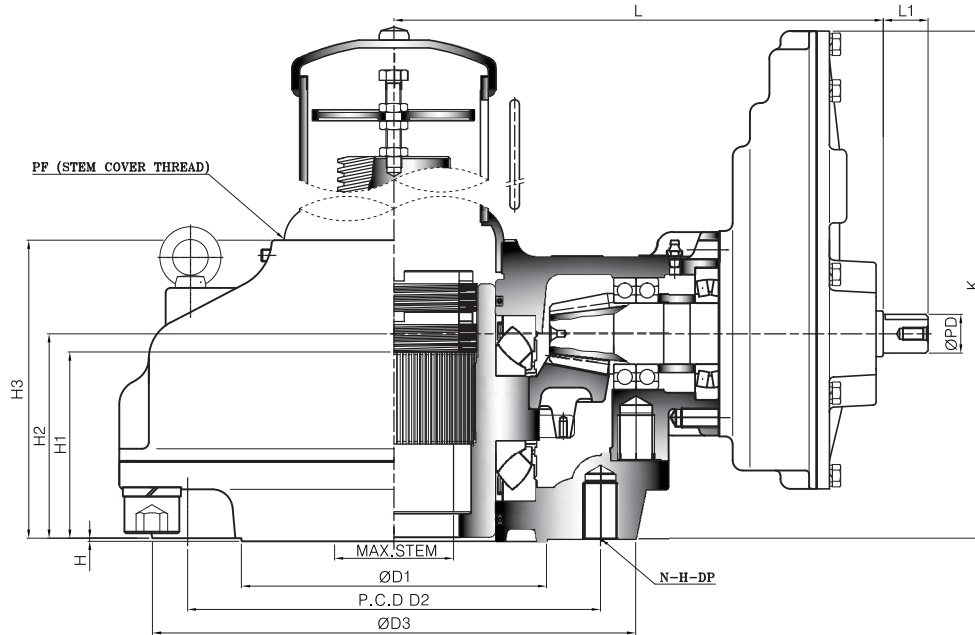


STANDARD TYPE-A

Thrust & Torque Horizontal Input with Double Reduction Gear Attachment



Dimension

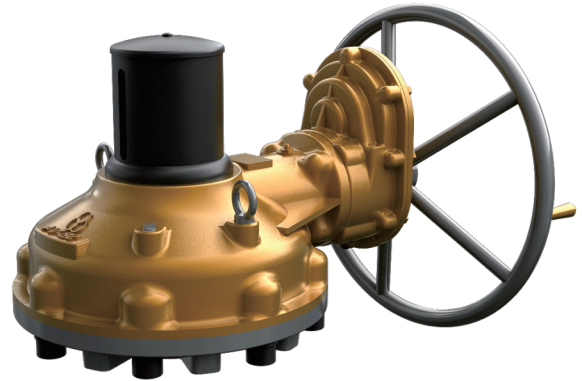
UNIT : mm

DIM MODEL	BASE PART							EXTERNAL PART					INPUT SHAFT PART			HAND WHEEL	STEM COVER
	TYPE	FLANGE	ØD1	P.C.D		ØD3	H	H1	H2	H3	K	L	L1	ØPD	KEY		
				ØD2	N-H-DP												
SB-V0-1SD	A	F-14	100	140	4-M16-24	175	3	72	81	121	195	249.5	29	21	6X6	250	PF2-1/2"
SB-V1-1SD		F-16	130	165	4-M20-30	210		84	98	140	212	262				300	PF3"
SB-V2-1SD	B	(F-16) F-20	140	205	8-M16-24	250	3	95	115	159.5	259	260.5	34	26	8X7	400	PF3-1/2"
SB-V3-1SD		F-25	200	254	8-M16-24	300		102	119	166.5	263	280.5				500	PF4"
SB-V35-1SD		F-30	230	298	8-M20-30	350		122	138	195	333	369	630	PF5"			
SB-V4-1SD		F-35	260	356	8-M30-45	410		133	150	209	345	394		34	32	10X8	710
SB-V5-1SD		F-35	260	356	8-M30-45	415		161	177	245	426	426	800				PF8"
SB-V55-1SD		F-40	300	406	8-M36-55	475		171	192	261	441	446	900	PF8"			
SB-V6-1SD		F-40	300	406	8-M36-55	475		185	201	283	498.5	498	44	38	12X8	800	PF8"
SB-V7-1SD		F-48	370	483	12-M36-55	560		206	222	309	519.5	526	44	38	12X8	900	PF8"
SB-V75-1SD	C	F-48	370	483	12-M36-55	560	5	221	248	340	628	666	58	50	16X10	1000	PF10"
SB-V8-1SD		F-48	370	483	12-M36-55	560		233	259	352	638	697	58	50	16X10	1000	PF10"
SB-V85-1SD	D	F-60	470	603	20-M36-55	700	5	248	278	373	658	741	58	50	16X10	1000	PF12"
SB-V9-1SD		F-60	470	603	20-M36-55	700		263	295	398	784	876	58	50	16X10	1000	PF12"
SB-V10-1SD		(F-60) F-80	650	800	20-M42-63	900		378	375	490	863	941	58	50	16X10	1000	PF12"

Spiral Bevel Gear Actuators

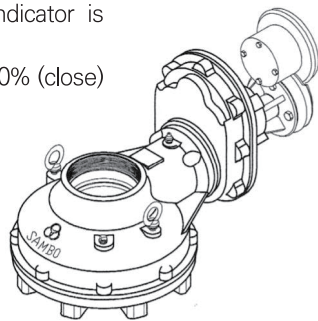
❖ Feature

- This series suitable for use with Gate & Globe type valve.
Also sluice gates and any other type requiring linear motion for thrust and torque applications.
- Unique Top Entry Replaceable Stem Nut.
High Tensile Aluminum bronze material providing corrosion and abrasion resistance.
- Castings are Ductile Iron, class 65-45-12 providing high strength and impact resistance.
- Heavy duty roller bearings supporting both radial & axial thrust loads.
- Gears are Machine cut, heat treated and ground for optimum operation Units are completely O-Ring Sealed suitable for temporary submergence to meet IP67 class.
- Many options, such as hand wheels, chain wheels, stem covers, position dial indicators are available.



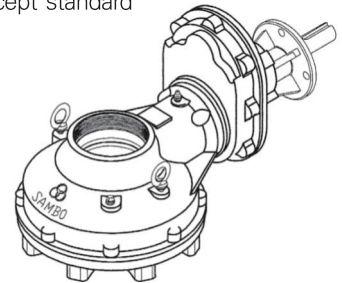
DIAL INDICATOR

A unique local position dial indicator is available.
It is graduated in percent from 0% (close) to 100% (open).



M · O · V OPTION

Bevel Gear can be provided with Motor actuator input flanges to accept standard ISO Mounting Base.



❖ Selection Chart for Manual Operation

MODEL	SIZE	MAX. GEAR RATIO (Changeable)	MAX. STEM ACCEPTANCE		MOUNTING OPTION & STANDARD	MAX. THRUST CAPACITY		MAX. TORQUE CAPACITY		WEIGHT
			TW	KEY		KN	lbf	N-m	Ft. lbf	
SB-V0-1SD		13 : 1	46	38 (12X8)	F-10, F-12, F-14	127	28550	600	442	21
SB-V1-1SD		14 : 1	55	45 (14X9)	F-14, F-16	141	31700	980	723	27
SB-V2-1SD		25.67 : 1	62	52 (16X10)	F-14, F-16, (F-20)	190	42710	1500	1106	42
SB-V3-1SD		32.08 : 1	72	60 (18X11)	F-16, (F-20), F-25	288	64750	2500	1844	54
SB-V35-1SD		49.5 : 1	85	72 (20X12)	F-25, F-30	350	78680	3500	2581	94
SB-V4-1SD		54 : 1	98	84 (22X14)	F-25, F-30, F-35	400	89920	5200	3835	116
SB-V5-1SD		80.31 : 1	110	95 (28X16)	F-30, F-35	510	114650	7800	5753	167
SB-V55-1SD		85.75 : 1	120	105 (28X16)	F-30, F-35, F-40	1500	337210	10400	7671	218
SB-V6-1SD		112 : 1	130	115 (32X18)	F-30, F-35, F-40	2310	519300	13000	9588	295
SB-V7-1SD		120.88 : 1	150	130 (36X20)	F-40, F-48	2500	562020	17600	12981	359
SB-V75-1SD		200 : 1	160	140 (36X20)	F-40, F-48	3450	775590	21000	15489	560
SB-V8-1SD		200 : 1	180	160 (40X22)	F-40, F-48	4100	921700	32000	23602	573
SB-V85-1SD		200 : 1	190	170 (40X22)	F-48, F-60	5150	1157760	40000	29502	632
SB-V9-1SD		200 : 1	200	180 (45X25)	F-48, F-60	5450	1225180	55000	40566	1255
SB-V10-1SD		200 : 1	230	200 (50X28)	F-60, (F-80)	7300	2585300	75000	55317	1465

Size and component specification in this catalogue are subject to change without prior notice for quality improvement.