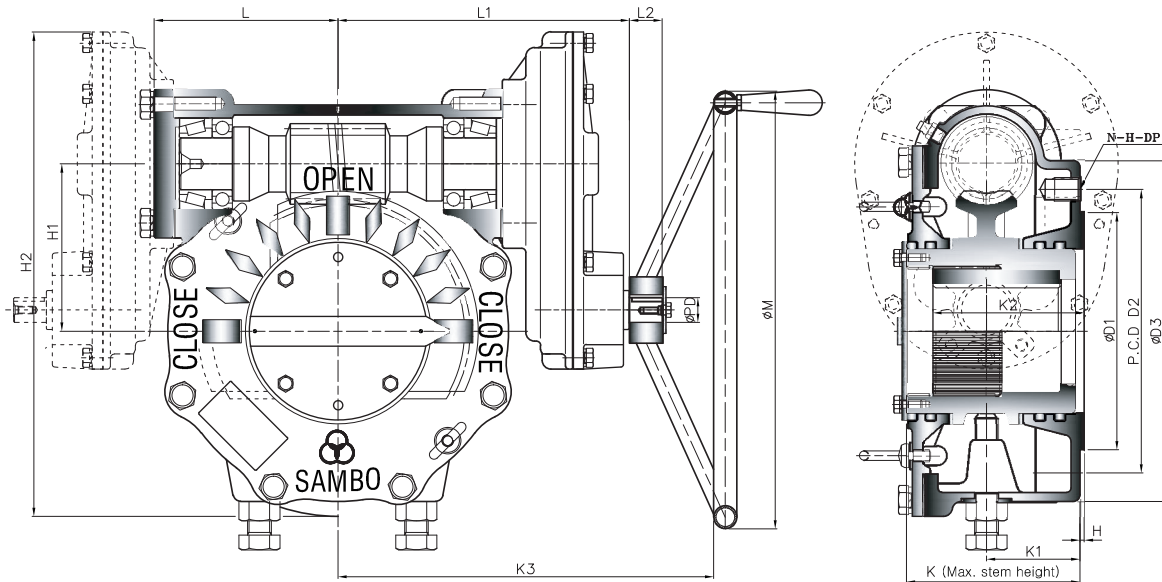
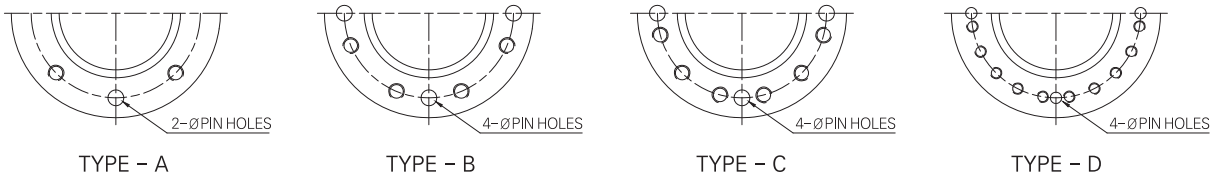


STANDARD TYPE-A

Horizontal Input with Single Reduction Gear Attachment



• Pin hole size is same as tap out diameter



Dimension

UNIT : mm

| MODEL | DIM | BASE PART | | | | | | EXTERNAL PART | | | | | | | INPUT SHAFT PART | | | HAND WHEEL | | |
|------------|-----|----------------|--------|-----|-----------|--------|-----|---------------|--------|-------|-----|------|-------|-------|------------------|----|----|------------|------|-----|
| | | TYPE | FLANGE | ØD1 | P.C.D | | ØD3 | H | H1 | H2 | K | K1 | K2 | K3 | L | L1 | L2 | | ØPD | KEY |
| | | | | | ØD2 | N-H-DP | | | | | | | | | | | | | | |
| SBWG-00-1S | A | F-12 | 85 | 125 | 4-M12-18 | 165 | 2 | 69.5 | 210 | 86.5 | 43 | 53.6 | 259 | 86 | 166 | 29 | 21 | 6X6 | 300 | |
| SBWG-01-1S | | F-14 | 100 | 140 | 4-M16-24 | 190 | | 82.5 | 235.5 | 96 | 53 | 65 | 288 | 95 | 175 | | | | 400 | |
| SBWG-02-1S | | F-16 | 130 | 165 | 4-M20-30 | 220 | | 97 | 282 | 109.5 | 56 | 75.5 | 319 | 108 | 190.5 | | | | 500 | |
| SBWG-03-1S | B | (F-16) F-20 | 160 | 205 | 8-M16-24 | 250 | 3 | 112 | 312 | 116 | 59 | 87 | 349 | 118 | 200.5 | 34 | 26 | 8X7 | 560 | |
| SBWG-35-1S | | F-25 | 200 | 254 | 8-M16-24 | 300 | | 127 | 339.5 | 126 | 63 | 91 | 367 | 125 | 212.5 | | | | 710 | |
| SBWG-04-1S | | F-25 | 200 | 254 | 8-M16-24 | 300 | | 153 | 417.5 | 147 | 73 | 120 | 413 | 153 | 250 | | | | 800 | |
| SBWG-05-1S | | F-30 | 230 | 298 | 8-M20-30 | 350 | | 180 | 469.5 | 155 | 78 | 141 | 443 | 163 | 260 | | | | 900 | |
| SBWG-55-1S | | | 200 | 254 | 8-M16-24 | 300 | | 202 | 516.5 | 162 | 80 | 144 | 463 | 183 | 280 | | | | 1000 | |
| SBWG-06-1S | | F-35 | 260 | 356 | 8-M30-45 | 415 | | 230 | 621 | 200 | 109 | 175 | 552 | 117 | 349 | | | | 800 | |
| SBWG-07-1S | | F-40 | 300 | 406 | 8-M36-55 | 475 | | 280.5 | 723 | 227 | 116 | 209 | 607 | 252 | 384 | | | | 900 | |
| SBWG-75-1S | C | F-48 | 370 | 483 | 12-M36-55 | 560 | 5 | 326 | 860 | 246 | 120 | 220 | 721 | 279 | 485 | 58 | 50 | 16X10 | 1000 | |
| SBWG-08-1S | | | | | | 560 | | 379 | 968 | 254 | 125 | 245 | 756 | 314 | 520 | | | | | |
| SBWG-09-1S | D | F-60 | 470 | 603 | 20-M36-55 | 700 | 5 | 448.5 | 1107.5 | 284 | 138 | 270 | 796 | 354 | 560 | 58 | 50 | 16X10 | 1000 | |
| SBWG-10-1S | | | | | | 800 | | 513 | 1291 | 352 | 164 | 330 | 927 | 426 | 691 | | | | | |
| SBWG-11-1S | | | | | | 900 | | 616.5 | 1499.5 | 400 | 181 | 370 | 969.5 | 468.5 | 733.5 | | | | | |
| SBWG-12-1S | | | | | | 1000 | | 711 | 1751 | 484 | 265 | 455 | 1140 | 554 | 905 | | | | | |
| SBWG-13-1S | | (F-80) | 650 | 800 | 20-M42-63 | 1000 | | 809 | 1944 | 546 | 301 | 515 | 1190 | 609 | 955 | | | | | |

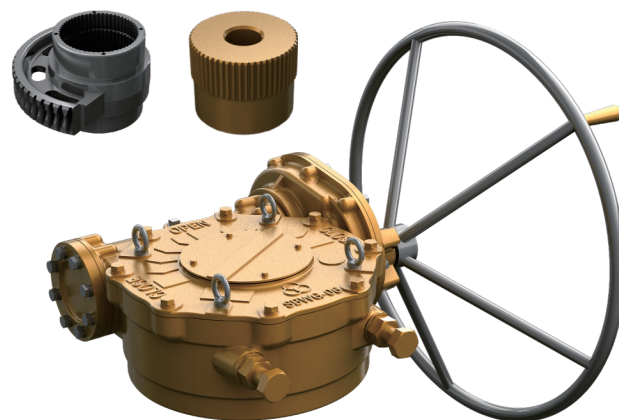
Worm Gear Actuators

❖ Feature

- All mounting bases conform to ISO 5210/1 standards.
- All castings are ductile iron, Class 65-45-12 excellent strength and impact resistance.
- Worm gear material is available in two option.
 - ▶ Ductile iron, Class 80-55-06
 - ▶ Aluminum bronze, B148-C95800
- Worm is 1045 heat treated Carbon steel.
- Removable splined bushing to permit accurate positioning between gear drive and valve stem.
- Options include hand wheels, chain wheels and etc.

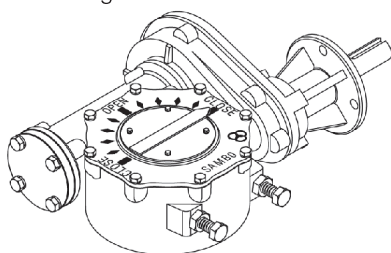
Bushing Type

Splines permit accurate alignment of valve stem key.



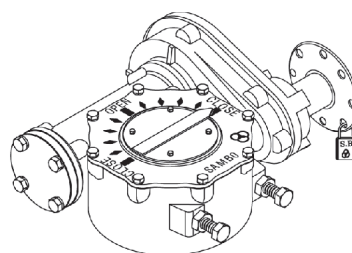
M · O · V OPTION

Worm Gear can be provided with Motor actuator input flanges to accept standard ISO Mounting Base.



LOCKING DEVICE OPTION

Input can be equipped with a Handwheel locking device for Manually operated units.



❖ Selection Chart for Manual Operation

| SIZE MODEL | GEAR RATIO | MAX. STEM ACCEPTANCE | MOUNTING OPTION & STANDARD | MAX. TORQUE CAPACITY | | WEIGHT |
|---------------|------------|----------------------|----------------------------|----------------------|---------|--------|
| | | | | N-m | Ft. lbf | Kg |
| SBWG-00-1S | 80 : 1 | 36 (10X8) | F-10 , F-12 | 1200 | 885 | 12 |
| SBWG-01-1S | 88 : 1 | 46 (14X9) | F-10 , F-12 , F-14 | 2000 | 1475 | 15 |
| SBWG-02-1S | 121.6 : 1 | 60 (18X11) | F-12 , F-14 , F-16 | 2800 | 2065 | 25 |
| SBWG-03-1S | 131.7 : 1 | 75 (20X12) | F-14 , F-16 , (F-20) | 4300 | 3172 | 33 |
| SBWG-35-1S | 131.7 : 1 | 80 (22X14) | F-16 , (F-20) , F-25 | 6100 | 4499 | 40 |
| SBWG-04-1S | 168 : 1 | 95 (25X14) | F-16 , (F-20) , F-25 | 10400 | 7671 | 66 |
| SBWG-05-1S | 180 : 1 | 115 (32X18) | F-25 , F-30 | 15900 | 11727 | 88 |
| SBWG-55-1S | 186 : 1 | 125 (32X18) | F-25 , F-30 | 23500 | 17333 | 107 |
| SBWG-06-1S | 256 : 1 | 140 (36X20) | F-25 , F-30 , F-35 | 32800 | 24192 | 175 |
| SBWG-07-1S | 272 : 1 | 180 (45X25) | F-30 , F-35 , F-40 | 51100 | 37689 | 271 |
| SBWG-75-1S | 330 : 1 | 210 (50X28) | F-35 , F-40 , F-48 | 81500 | 60111 | 422 |
| SBWG-08-1S | 330 : 1 | 250 (56X32) | F-40 , F-48 | 121000 | 89245 | 545 |
| SBWG-09-1S | 330 : 1 | 280 (63X32) | F-48 , F-60 | 192500 | 141981 | 902 |
| SBWG-10-1S | 320 : 1 | 320 (70X36) | F-60 | 275000 | 202830 | 1426 |
| SBWG-11-1S | 340 : 1 | 360 (80X40) | F-60 | 442000 | 326002 | 2182 |
| SBWG-12-1S | 350 : 1 | 400 (90X45) | F-60 , (F-80) | 610000 | 449913 | 3081 |
| SBWG-13-1S | 360 : 1 | 440 (100X50) | F-60 , (F-80) | 970000 | 715435 | 3980 |

Size and component specification in this catalogue are subject to change without prior notice for quality improvement.